

# Product Information

## FIDANDSCSMIN - Mini Dancing Discs Insert

BS EN 1176 - Designed to British & European Standards

### MATERIALS


Panel - Two Colour **XD<sup>eco</sup>** High Density Polyethylene (HDPE)

Washers & Threaded Bars - Zinc plated

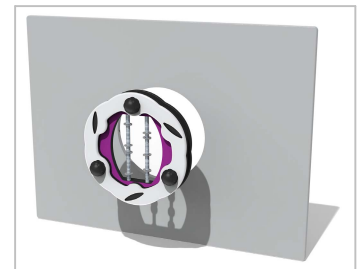
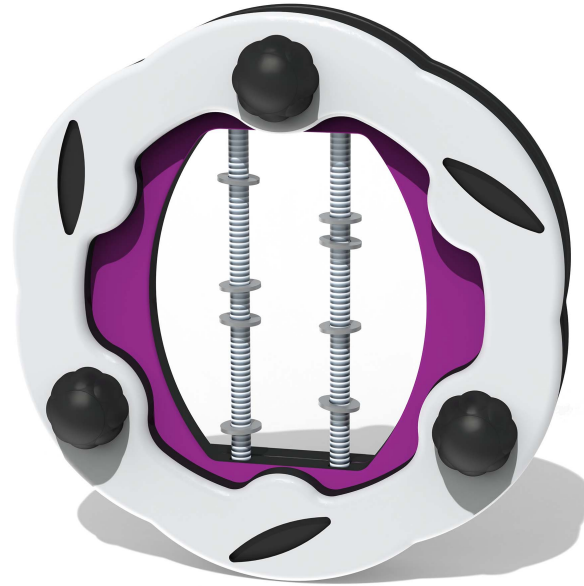
### SUPPLY METHOD

Insert - Fully assembled

### FEATURES

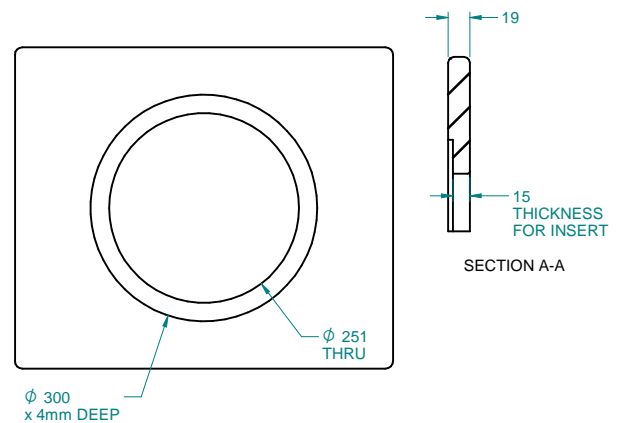
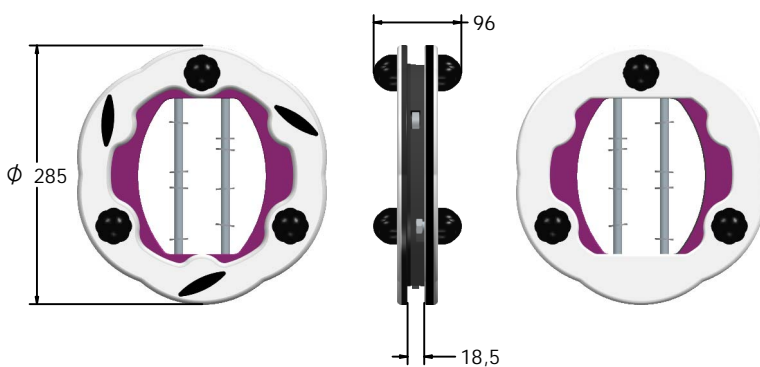
 **ROTATE** - 360° turn insert

 **VISUAL** - Falling metal discs



Insert can easily attach to your own panel

### DIMENSIONS



REQUIRED PANEL APERTURE

### TECHNICAL

Age Range: 2+ Years  
 Largest Part: FIDANDSCSMIN -  $\phi 285 \times 96$ mm  
 Total Weight: FIDANDSCSMIN - 2kg Approx.  
 Surfacing: N/A

IMPORTANT: you must specify the colour option you require at the time of order if it is different from the colour listed/shown above, requirements are subject to availability at the time of order