

Product Information

FIDANDSCIN - Dancing Discs Insert

BS EN 1176 - Designed to British & European Standards

MATERIALS

Panel - Two Colour  High Density Polyethylene (HDPE)

Washers & Threaded Bars - Zinc plated

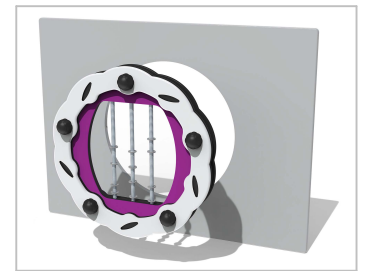
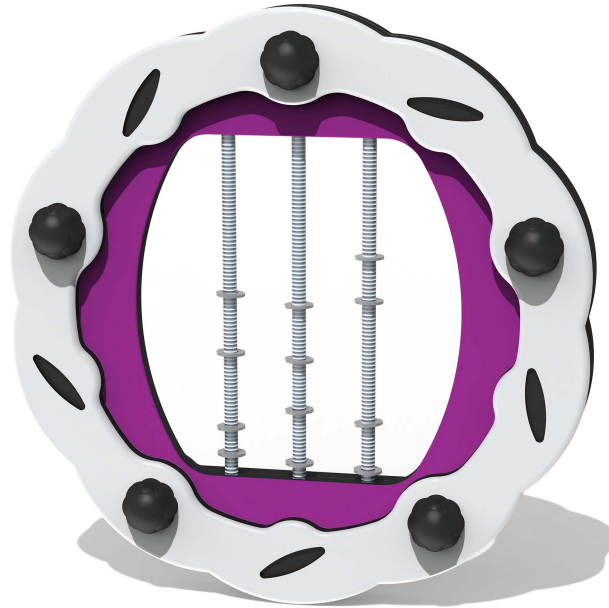
SUPPLY METHOD

Insert - Fully assembled

FEATURES

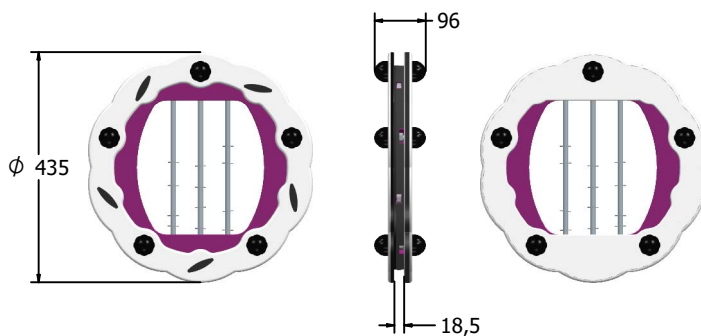
 **ROTATE** - 360° turn insert

 **VISUAL** - Falling metal discs

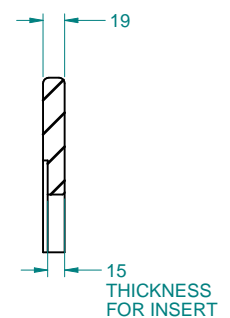
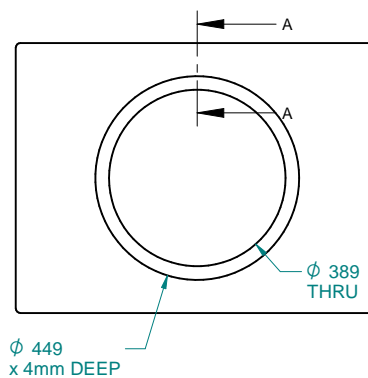


Insert can easily attach to your own panel

DIMENSIONS



REQUIRED PANEL APERTURE



SECTION A-A

TECHNICAL

Age Range: 2+ Years
 Largest Part: FIDANDSCIN - ϕ 435 x 96mm
 Total Weight: FIDANDSCIN - 4kg Approx.
 Surfacing: N/A

IMPORTANT: you must specify the colour option you require at the time of order if it is different from the colour listed/shown above, requirements are subject to availability at the time of order