

Product Information

FIDANDSCIN - Dancing Discs Insert

BS EN 1176 - Designed to British & European Standards

MATERIALS

Panel - Two Colour **XDeco** High Density Polyethylene (HDPE)

Washers & Threaded Bars - Stainless Steel

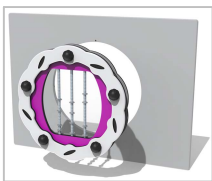
SUPPLY METHOD

Insert - Fully assembled

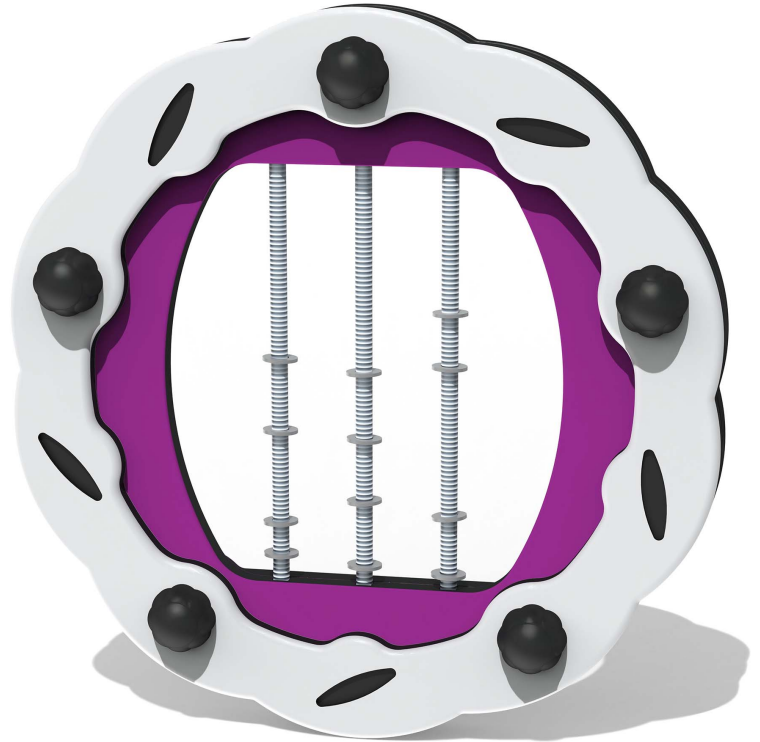
FEATURES

 **ROTATE** - 180° turn insert

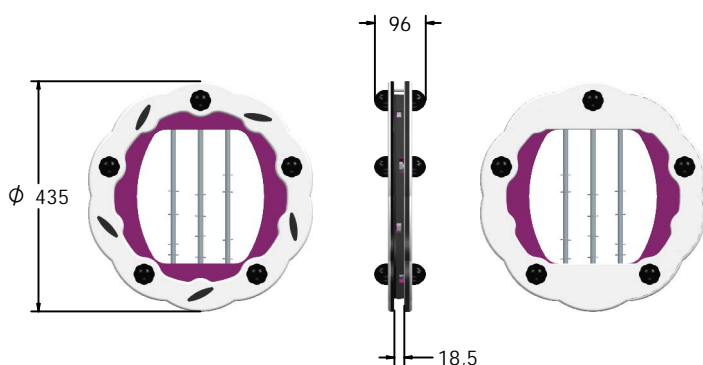
 **VISUAL** - Falling metal discs



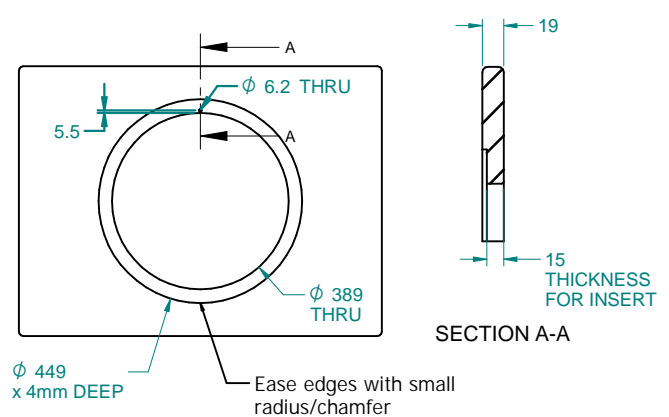
Insert can be easily attached to your own panel



DIMENSIONS



REQUIRED PANEL APERTURE



TECHNICAL

Age Range: 2+ Years
 Largest Part: FIDANDSCIN - $\phi 435 \times 96$ mm
 Total Weight: FIDANDSCIN - 4kg Approx.
 Surfacing: N/A

IMPORTANT: you must specify the colour option you require at the time of order if it is different from the colour listed/shown above, requirements are subject to availability at the time of order