

Product Information

VETOADS-AL-WP - Toadstool Seat with Alu Post

BS EN 1176 - Designed to British & European Standards

MATERIALS

Panels - Two Colour High Density Polyethylene (HDPE)

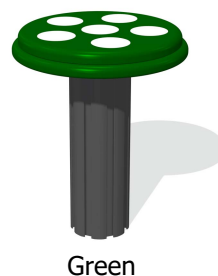
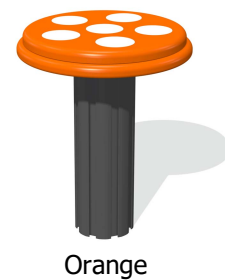
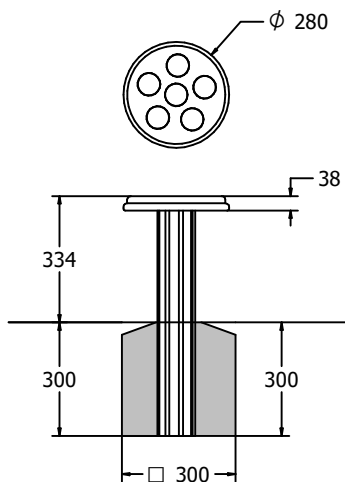
Post - Extruded aluminium post with powder coat finish

SUPPLY METHOD

Toadstool - Fully Assembled



DIMENSIONS



TECHNICAL

Age Range:	2+ Years
Largest Part:	Toadstool Assembly - $\phi 280 \times 600$ mm
Heaviest Part:	Toadstool Assembly - 5 kg Approx.
Total Weight:	9kg Approx.
Surfacing:	N/A

IMPORTANT: you must specify the colour option you require at the time of order if it is different from the colour listed/shown above, requirements are subject to availability at the time of order