

# Product Information

## FILUDOIN - Ludo Insert

BS EN 1176 - Designed to British & European Standards




### MATERIALS

Panel - Two Colour  High Density Polyethylene (HDPE)

### SUPPLY METHOD

Insert - Fully assembled

### FEATURES

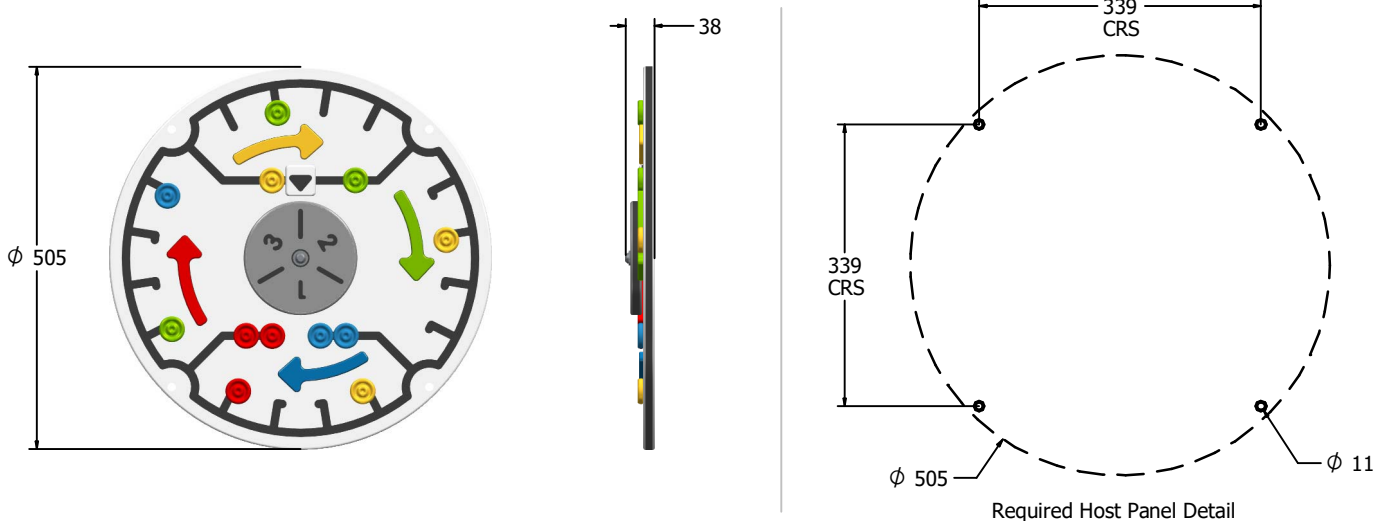
-  **ROTATE** - Spinning dice disc
-  **SLIDERS** - Sliding counters
-  **SOCIAL** - Group game/activity



Insert can easily attach  
to your own panel



### DIMENSIONS



### TECHNICAL

Age Range: 2+ Years  
Largest Part:  $\phi 505 \times 38\text{mm}$   
Total Weight: 2.8kg Approx.  
Surfacing: N/A

IMPORTANT: you must specify the colour option you require at the time of order if it is different from the colour listed/shown above, requirements are subject to availability at the time of order