

# Product Information

## FIRTSEN - Sensory Ribbed Crawl Through Play Tunnel

BS EN 1176 - Designed to British & European Standards

### MATERIALS






**Panels** - Two Colour **XD<sub>eco</sub>** High Density Polyethylene (HDPE)

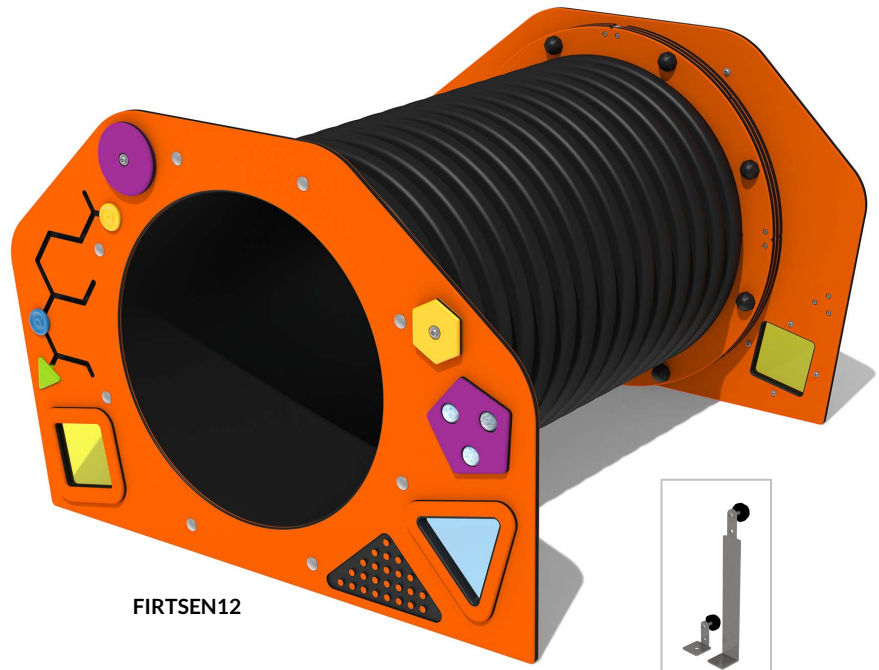
**Ribbed Tunnel** - HDPE Heavy duty ribbed tunnel with a smooth inner

### SUPPLY METHOD

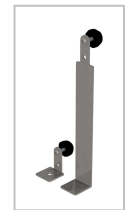
**Tunnel** - Fully assembled

### FEATURES

-  **TUNNEL** - Ribbed Crawl Through Play Tunnel
-  **WINDOW** - Shaped polycarbonate windows
-  **ROLLER BALL** - Pentagon with 3 blue roller balls
-  **SLIDERS** - Hexagonal shaped counter path
-  **ROTATE** - Spinning shaped discs

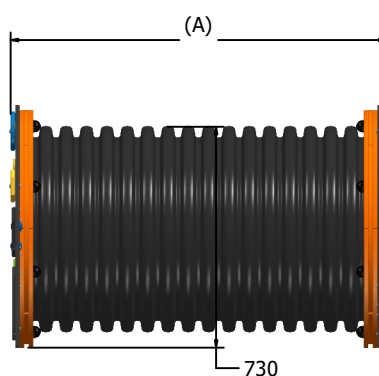
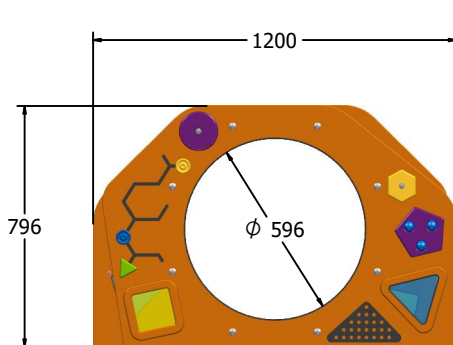


FIRTSEN12



Surface or below ground fixing brackets available as an additional extra.

### DIMENSIONS



Tunnell Overall Length (all lengths nominal)	
Product Code	Length (A)
FIRTSEN12	1252mm
FIRTSEN20	1992mm

### TECHNICAL

**Age Range:** 2+ Years  
**Largest Part:** FIRTSEN12 - 1200 x 796 x 1252mm (Nominal)  
**Total Weight:** 50kg Approx.  
**FFH (Free Fall Height):** 796mm  
**Surfacing:** 1.5m from extremes of equipment.

**Age Range:** 2+ Years  
**Largest Part:** FIRTSEN20 - 1200 x 796 x 1992mm (Nominal)  
**Total Weight:** 65kg Approx.  
**FFH (Free Fall Height):** 796mm  
**Surfacing:** 1.5m from extremes of equipment.

IMPORTANT: you must specify the colour option you require at the time of order if it is different from the colour listed/shown above, requirements are subject to availability at the time of order