

Product Information

FIRTBAS - Basic Ribbed Crawl Through Play Tunnel

BS EN 1176 - Designed to British & European Standards

MATERIALS

Panels - Two Colour  High Density Polyethylene (HDPE)

Ribbed Tunnel - HDPE Heavy duty ribbed tunnel with a smooth inner

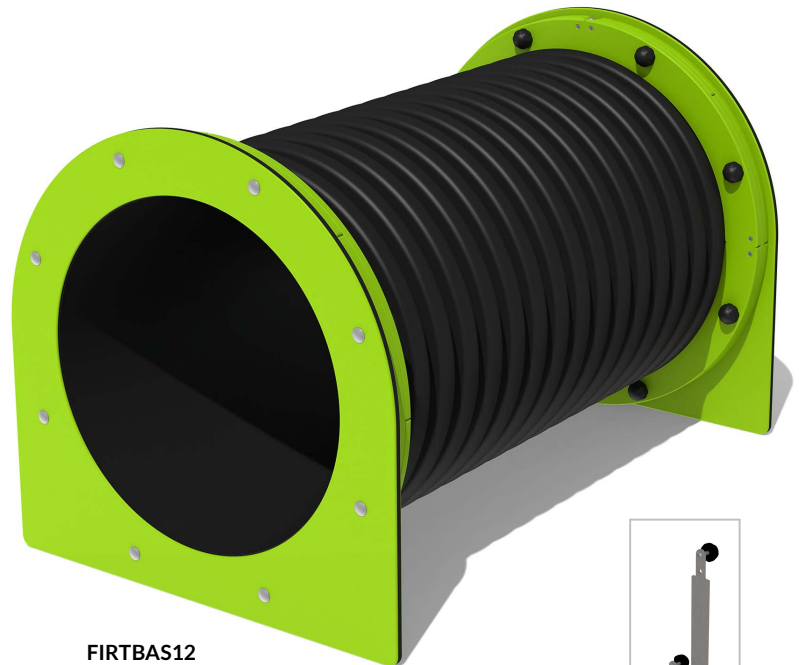
SUPPLY METHOD

Tunnel - Fully assembled

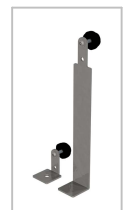
FEATURES



TUNNEL - Ribbed Crawl Through Play Tunnel

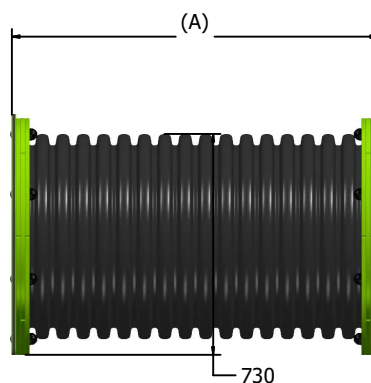
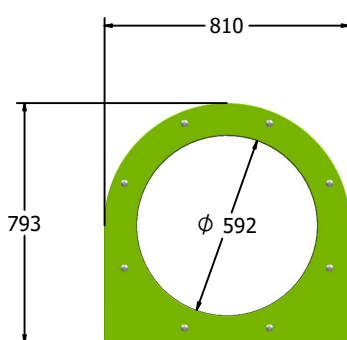


FIRTBAS12



Surface or below ground fixing brackets available as an additional extra.

DIMENSIONS



Tunnell Overall Length (all lengths +/- 50mm)	
Product Code	Length (A)
FIRTBAS12	1210mm +/- 50mm
FIRTBAS20	2020mm +/- 50mm

TECHNICAL

Age Range: 2+ Years
Largest Part: FIRTBAS12 - 1200 x 796 x 1210mm +/- 50mm
Total Weight: 84kg Approx.
FFH (Free Fall Height): 793mm
Surfacing: 1.5m from extremes of equipment.

Age Range: 2+ Years
Largest Part: FIRTBAS20 - 1200 x 796 x 2050mm +/- 50mm
Total Weight: 126kg Approx.
FFH (Free Fall Height): 793mm
Surfacing: 1.5m from extremes of equipment.

IMPORTANT: you must specify the colour option you require at the time of order if it is different from the colour listed/shown above, requirements are subject to availability at the time of order