

Product Information

FIRTBAS - Basic Ribbed Crawl Through Play Tunnel

BS EN 1176 - Designed to British & European Standards

MATERIALS

Panels - Two Colour  High Density Polyethylene (HDPE)

Ribbed Tunnel - HDPE Heavy duty ribbed tunnel with a smooth inner

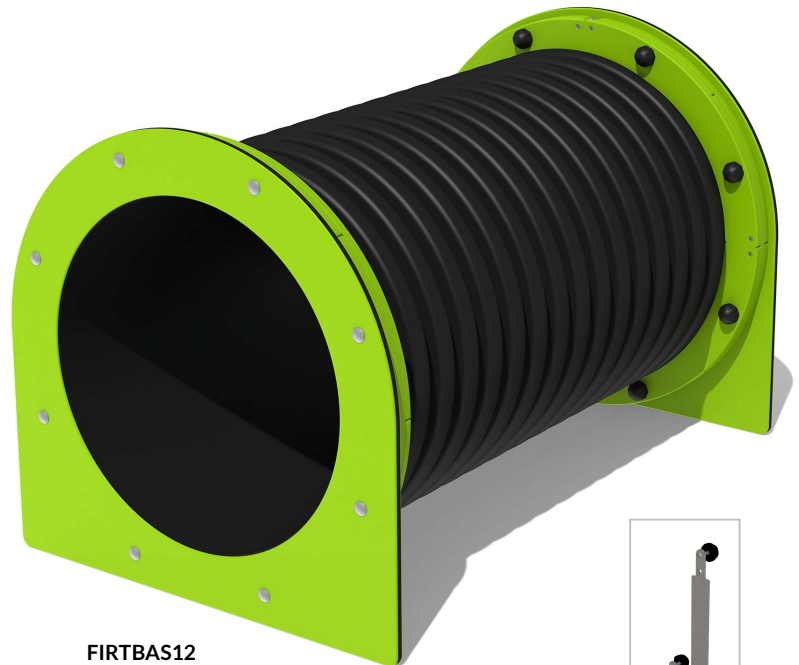
SUPPLY METHOD

Tunnel - Fully assembled

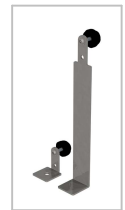
FEATURES



TUNNEL - Ribbed Crawl Through Play Tunnel

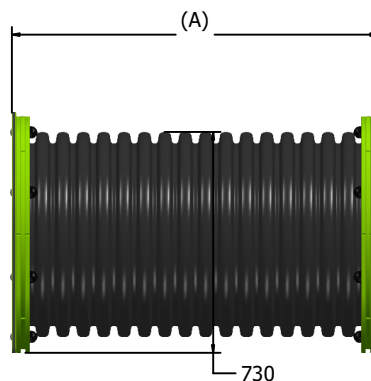
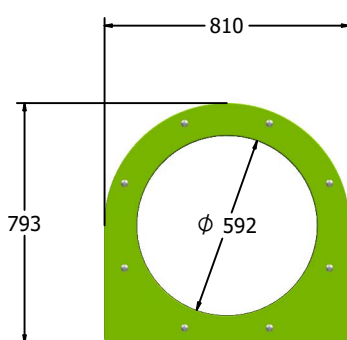


FIRTBAS12



Surface or below ground fixing brackets available as an additional extra.

DIMENSIONS



Tunnell Overall Length (all lengths nominal)	
Product Code	Length (A)
FIRTBAS12	1213mm
FIRTBAS20	1953mm

TECHNICAL

Age Range: 2+ Years
Largest Part: FIRTBAS12 - 810 x 793 x 1213mm(Nominal)
Total Weight: 42kg Approx.
FFH (Free Fall Height): 793mm
Surfacing: 1.5m from extremes of equipment.

Age Range: 2+ Years
Largest Part: FIRTBAS20 - 810 x 793 x 1953mm(Nominal)
Total Weight: 56kg Approx.
FFH (Free Fall Height): 793mm
Surfacing: 1.5m from extremes of equipment.

IMPORTANT: you must specify the colour option you require at the time of order if it is different from the colour listed/shown above, requirements are subject to availability at the time of order