

# Product Information

## FIRTADV - Adventure Ribbed Crawl Through Play Tunnel

BS EN 1176 - Designed to British & European Standards

### MATERIALS

**Panels** - Two Colour **XDeco** High Density Polyethylene (HDPE)

**Ribbed Tunnel** - HDPE Heavy duty ribbed tunnel with a smooth inner

### SUPPLY METHOD

**Tunnel** - Fully assembled

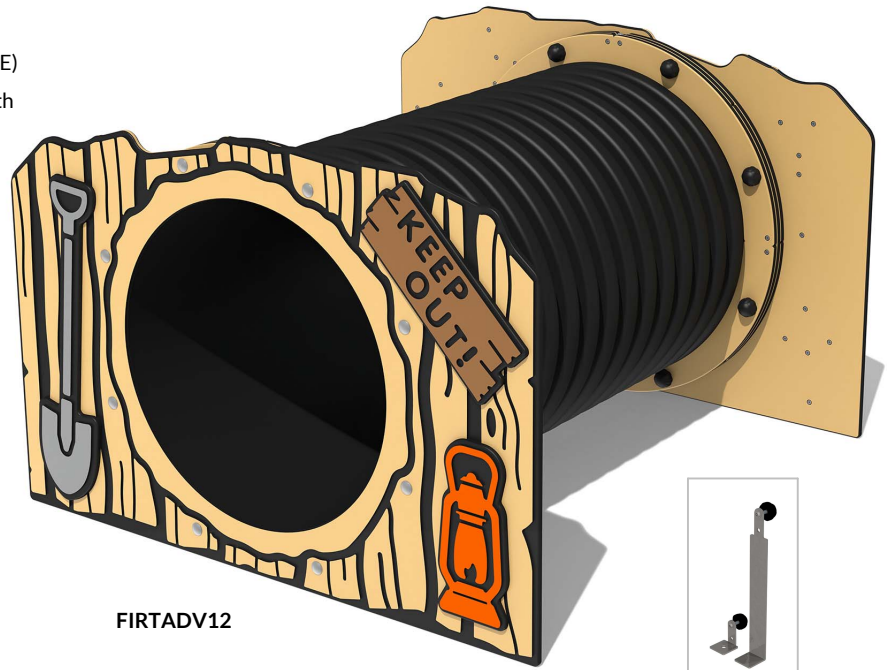
### FEATURES



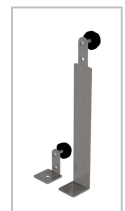
**TUNNEL** - Ribbed Crawl Through Play Tunnel



**VISUAL** - Adventure themed plant ons

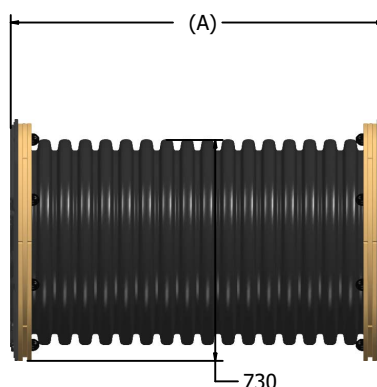
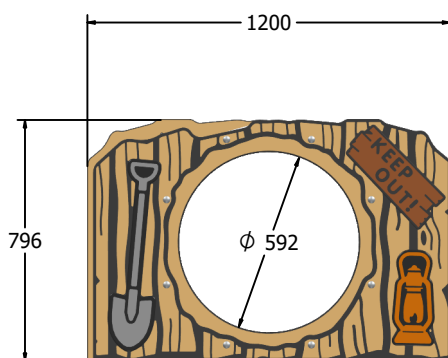


FIRTADV12



Surface or below ground fixing brackets available as an additional extra.

### DIMENSIONS



Tunnell Overall Length (all lengths +/- 50mm)	
Product Code	Length (A)
FIRTADV12	1236mm +/- 50mm
FIRTADV20	2043mm +/- 50mm

### TECHNICAL

**Age Range:** 2+ Years  
**Largest Part:** FIRTADV12 - 1200 x 796 x 1236mm +/- 50mm  
**Total Weight:** 92kg Approx.  
**FFH (Free Fall Height):** 796mm  
**Surfacing:** 1.5m from extremes of equipment.

**Age Range:** 2+ Years  
**Largest Part:** FIRTADV20 - 1200 x 796 x 2043mm +/- 50mm  
**Total Weight:** 137kg Approx.  
**FFH (Free Fall Height):** 796mm  
**Surfacing:** 1.5m from extremes of equipment.

IMPORTANT: you must specify the colour option you require at the time of order if it is different from the colour listed/shown above, requirements are subject to availability at the time of order