

Product Information

FIRTADV - Adventure Ribbed Crawl Through Play Tunnel

BS EN 1176 - Designed to British & European Standards

MATERIALS

Panels - Two Colour **XDeco** High Density Polyethylene (HDPE)

Ribbed Tunnel - HDPE Heavy duty ribbed tunnel with a smooth inner

SUPPLY METHOD

Tunnel - Fully assembled

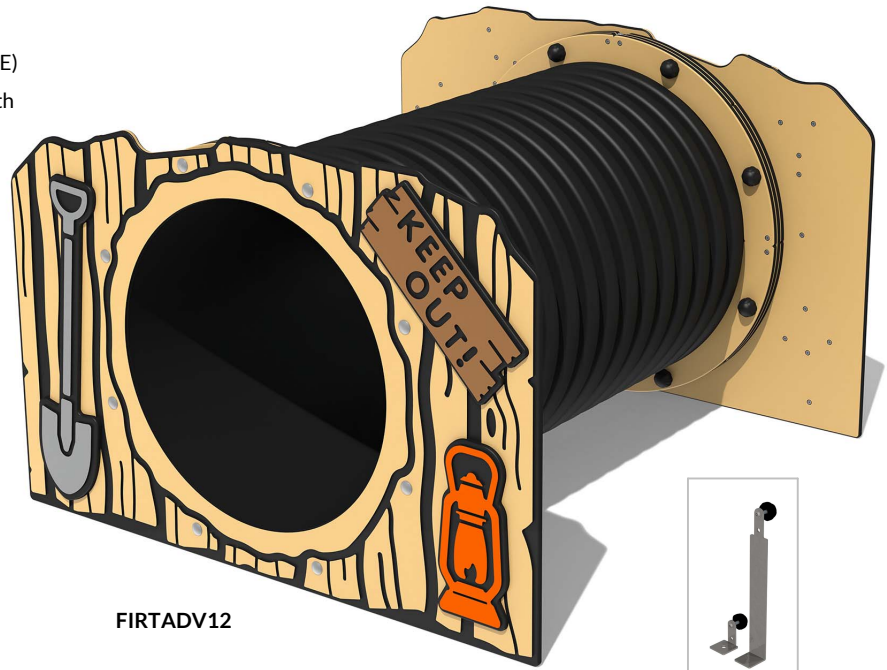
FEATURES



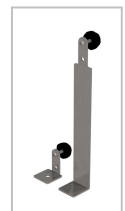
TUNNEL - Ribbed Crawl Through Play Tunnel



VISUAL - Adventure themed plant ons

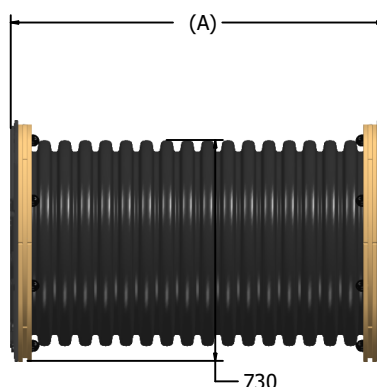
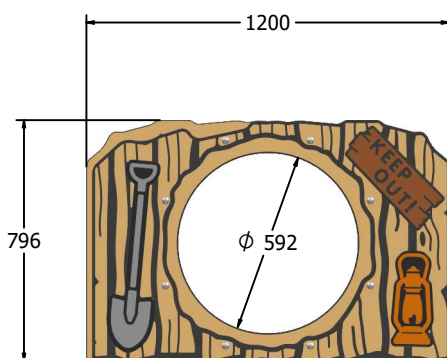


FIRTADV12



Surface or below ground fixing brackets available as an additional extra.

DIMENSIONS



Tunnell Overall Length (all lengths nominal)	
Product Code	Length (A)
FIRTADV12	1236mm
FIRTADV20	1976mm

TECHNICAL

Age Range: 2+ Years
Largest Part: FIRTADV12 - 1200 x 796 x 1236mm(Nominal)
Total Weight: 52kg Approx.
FFH (Free Fall Height): 796mm
Surfacing: 1.5m from extremes of equipment.

Age Range: 2+ Years
Largest Part: FIRTADV20 - 1200 x 796 x 2043mm(Nominal)
Total Weight: 67kg Approx.
FFH (Free Fall Height): 796mm
Surfacing: 1.5m from extremes of equipment.

IMPORTANT: you must specify the colour option you require at the time of order if it is different from the colour listed/shown above, requirements are subject to availability at the time of order