

Product Information

FIPASLSMIN - Mini Pattern Sliders Insert

BS EN 1176 - Designed to British & European Standards

MATERIALS


Panel - Two Colour  High Density Polyethylene (HDPE)

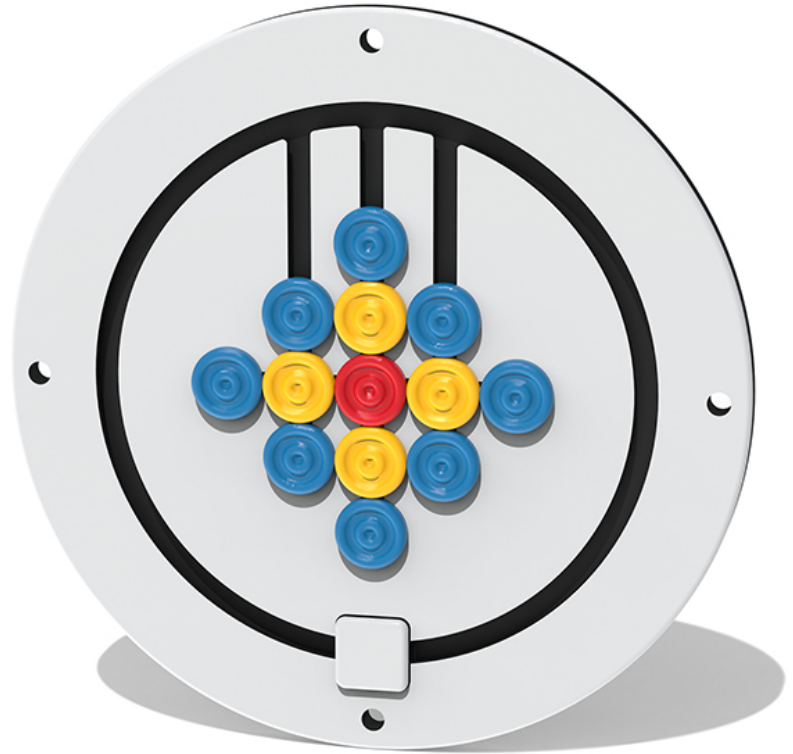
SUPPLY METHOD

Panel - Singular panel

FEATURES

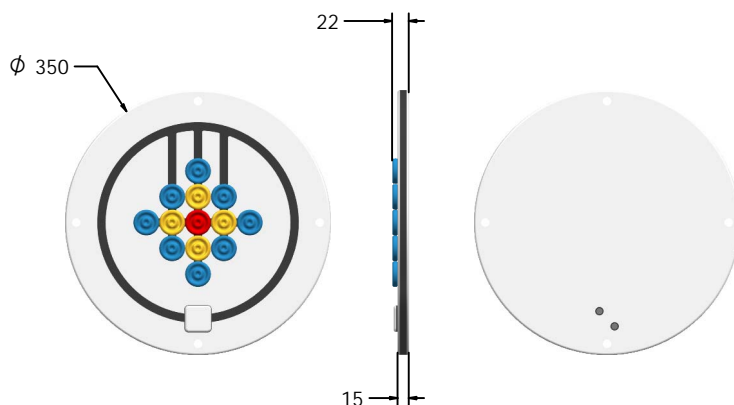
 **SLIDERS** - Sliding counters

 **VISUAL** - Create coloured counter patterns

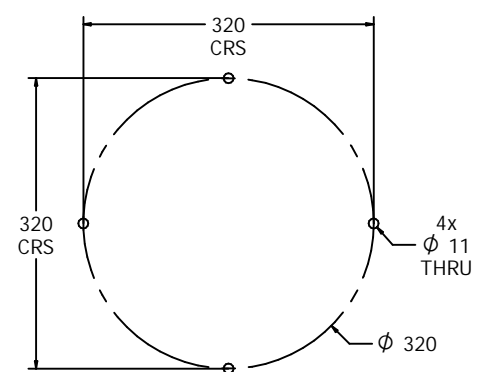


Insert can easily attach to your own panel

DIMENSIONS



Host panel fixing detail



CAD available on request

TECHNICAL

Age Range: 2+ Years
 Largest Part: $\text{\O}350 \times 22\text{mm}$
 Total Weight: 1.3kg
 Surfacing: N/A

IMPORTANT: you must specify the colour option you require at the time of order if it is different from the colour listed/shown above, requirements are subject to availability at the time of order