

Product Information

FIGLIDESMIN - Mini Gliding Gears Insert

BS EN 1176 - Designed to British & European Standards

MATERIALS

Panel - Two Colour  High Density Polyethylene (HDPE)

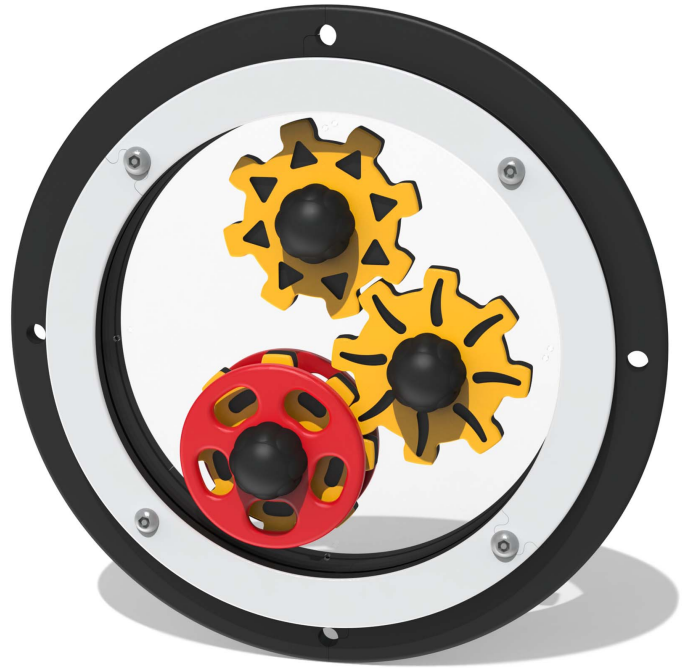
SUPPLY METHOD

Insert - Fully assembled

FEATURES

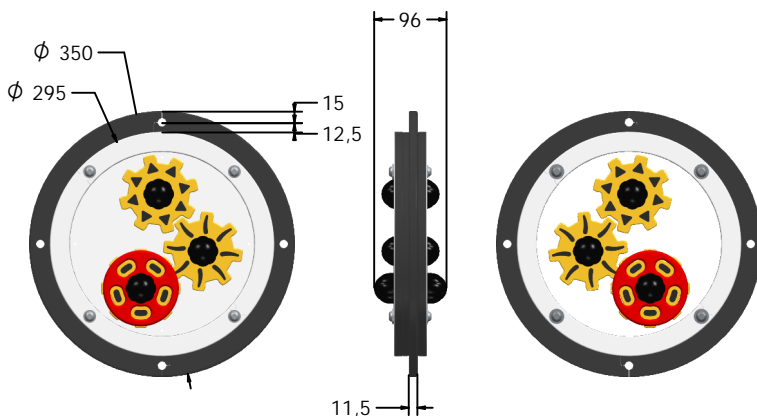


ROTATE - Turn the handle to spin the gears

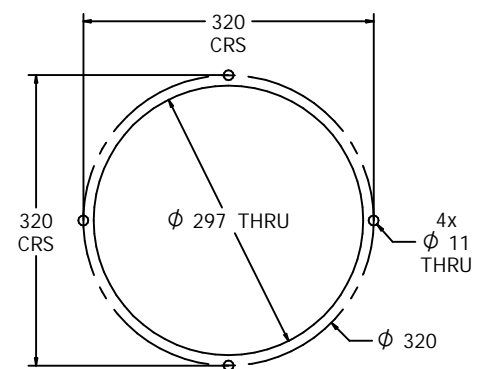


Insert can easily attach to your own panel

DIMENSIONS



Host panel fixing detail



CAD available on request

TECHNICAL

Age Range: 2+ Years
 Largest Part: $\text{Ø}350 \times 96\text{mm}$
 Total Weight: 2kg Approx.
 Surfacing: N/A

IMPORTANT: you must specify the colour option you require at the time of order if it is different from the colour listed/shown above, requirements are subject to availability at the time of order