

# Product Information

## FICSCBFL-WP - Concentric Code Breaker Flower with Post

BS EN 1176 - Designed to British & European Standards

### MATERIALS

**Panels** - Two Colour **XD<sup>eco</sup>** High Density Polyethylene (HDPE)


**Post** - 100% recycled plastic **ecoPOSTS** with a heavy textured finish


### SUPPLY METHOD

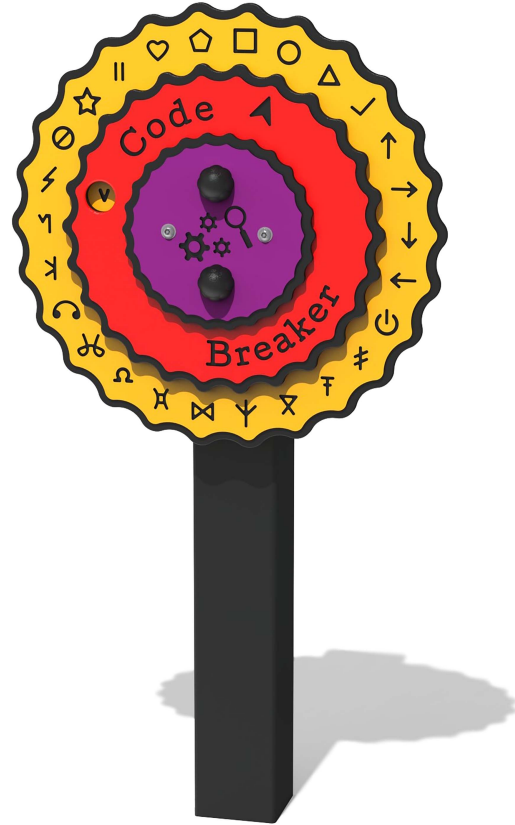
**Insert** - Pre-assembled

**Post & Cap** - Pre-assembled with fixings

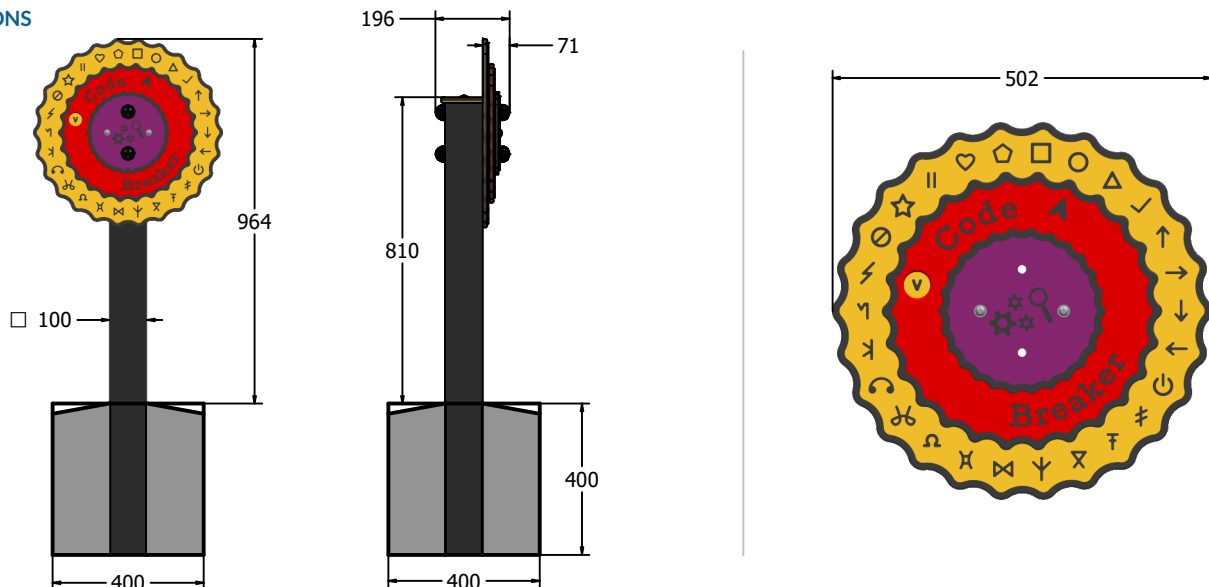
### FEATURES

 **ROTATE** - Concentric spinning discs

 **LETTERS** - Align with the symbols to crack the code



### DIMENSIONS



### TECHNICAL

**Age Range:** 2+ Years  
**Largest Part:** Ø502 x 45mm  
**Total Weight:** 14.7kg Approx.  
**Surfacing:** N/A

IMPORTANT: you must specify the colour option you require at the time of order if it is different from the colour listed/shown above, requirements are subject to availability at the time of order