

Product Information

FISENIN - Sensory Insert

BS EN 1176 - Designed to British & European Standards

MATERIALS

Panel - Two Colour  High Density Polyethylene (HDPE)

SUPPLY METHOD


Insert - Fully assembled

FEATURES

 **SLIDERS** - Counter positioned along bee trail

 **ROLLERBALL** - Inside a green leaf

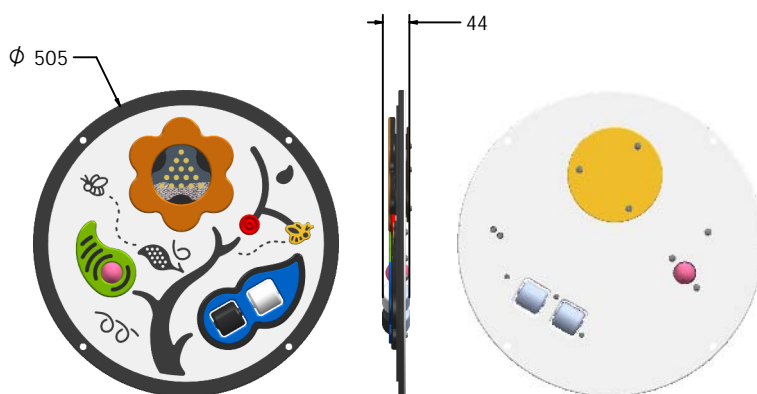
 **ROTATE** - Flower bearing spinner

 **FLIP** - Two colour rollers to mix and match

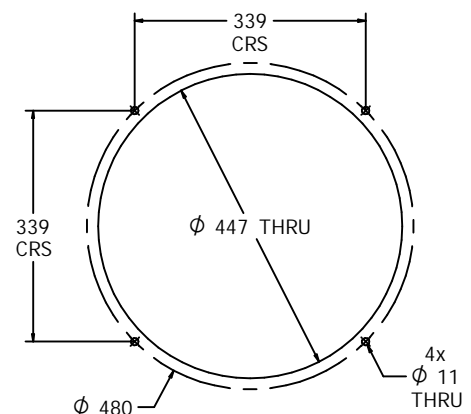


Insert can be easily attached to your own panel

DIMENSIONS



Host panel fixing detail



CAD available on request

TECHNICAL

Age Range: 2+ Years
Largest Part: FISENIN - ϕ 505 x 44mm
Total Weight: FISENIN - 4kg Approx
Surfacing: N/A

IMPORTANT: you must specify the colour option you require at the time of order if it is different from the colour listed/shown above, requirements are subject to availability at the time of order