


Product Information

FIDENSEN - Sensory Den

BS EN 1176 - Designed to British & European Standards

MATERIALS

Panels - Two Colour  High Density Polyethylene (HDPE)

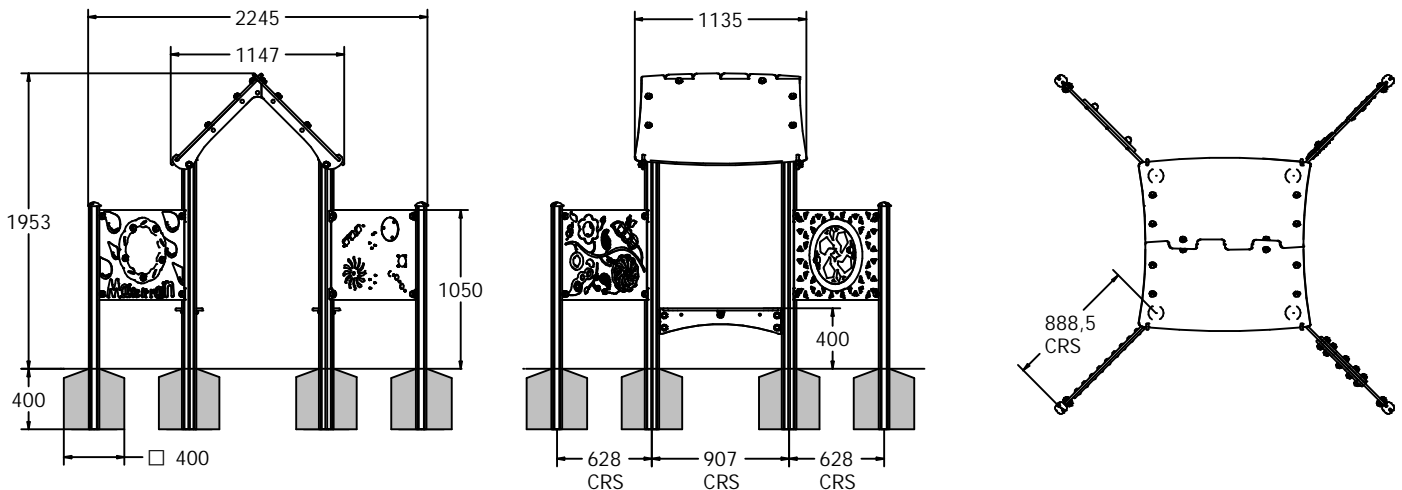
Posts - Extruded aluminium post with powder coat finish

SUPPLY METHOD

Pre-assembled items: Roof, Benches, Panels, Mini Posts



DIMENSIONS



TECHNICAL

Age Range: 2+ Years
Largest Part: Tall Aluminium Post: 100 x 100 x 1785mm
Heaviest Part: Apex Roof Half - 14.5kg
Total Weight: 106kg Approx.
Surfacing: N/A

IMPORTANT: you must specify the colour option you require at the time of order if it is different from the colour listed/shown above, requirements are subject to availability at the time of order

Product Information

FIDENSEN - Sensory Den



FEATURES

-  **SLIDERS** - Counters along Sensory Panel branches
-  **ROTATE** - Make it Rain Insert, Flower and Fan Spinners, Kaleidoscope
-  **VISUAL** - Make it Rain falling metal balls, Kaleidoscope colour overlays
-  **SOUNDS** - Rainfall sound from falling metal balls
-  **ROLLER BALL** - Interactive roller ball seed pod
-  **FLIP** - Create patterns with two colour rollers
-  **INCLUSIVE** - Panels positioned at easily accessible heights
-  **SOCIAL** - Seating encourages interaction between children

IMPORTANT: you must specify the colour option you require at the time of order if it is different from the colour listed/shown above, requirements are subject to availability at the time of order