

Product Information

FIDENLEA - Learning Den

BS EN 1176 - Designed to British & European Standards

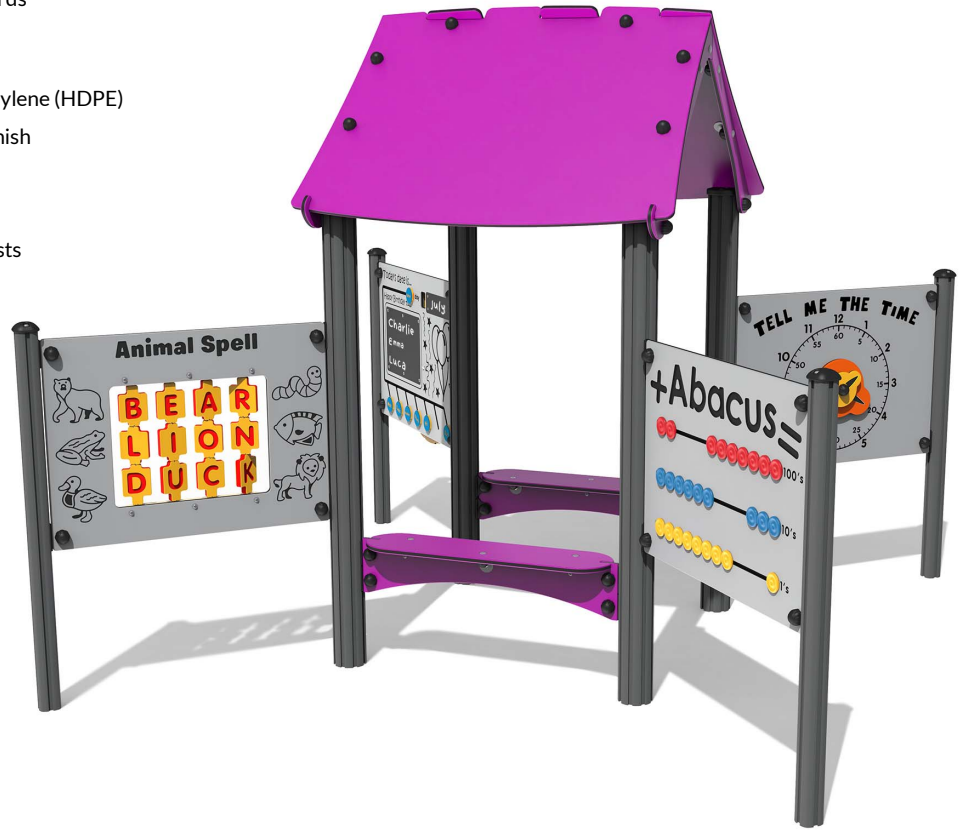
MATERIALS

Panels - Two Colour  High Density Polyethylene (HDPE)

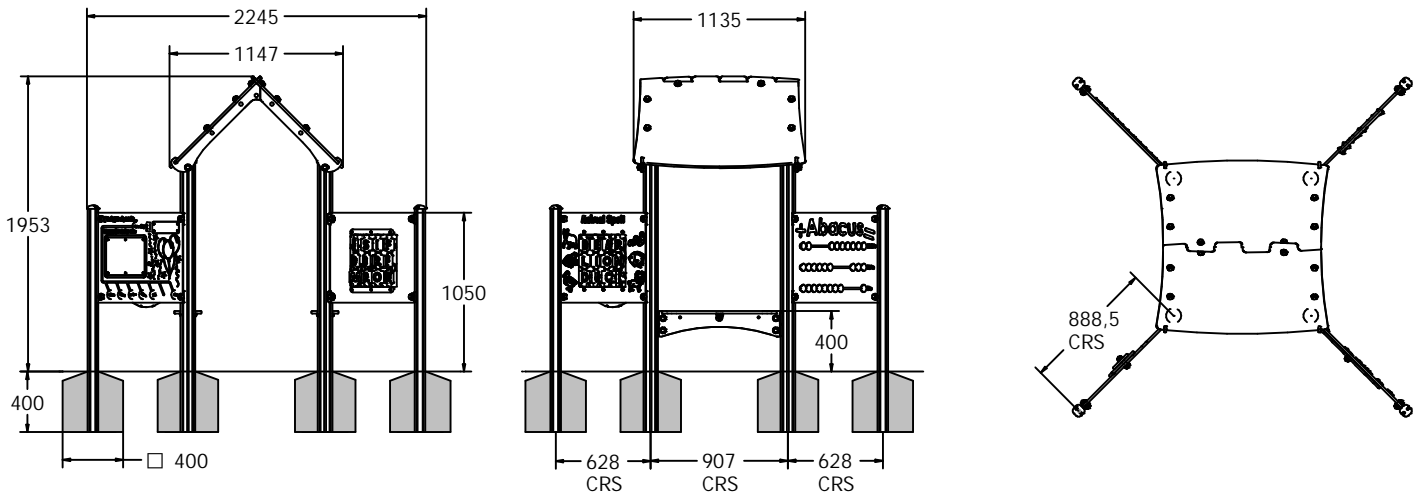
Posts - Extruded aluminium post with powder coat finish

SUPPLY METHOD

Pre-assembled items: Roof, Benches, Panels, Mini Posts



DIMENSIONS



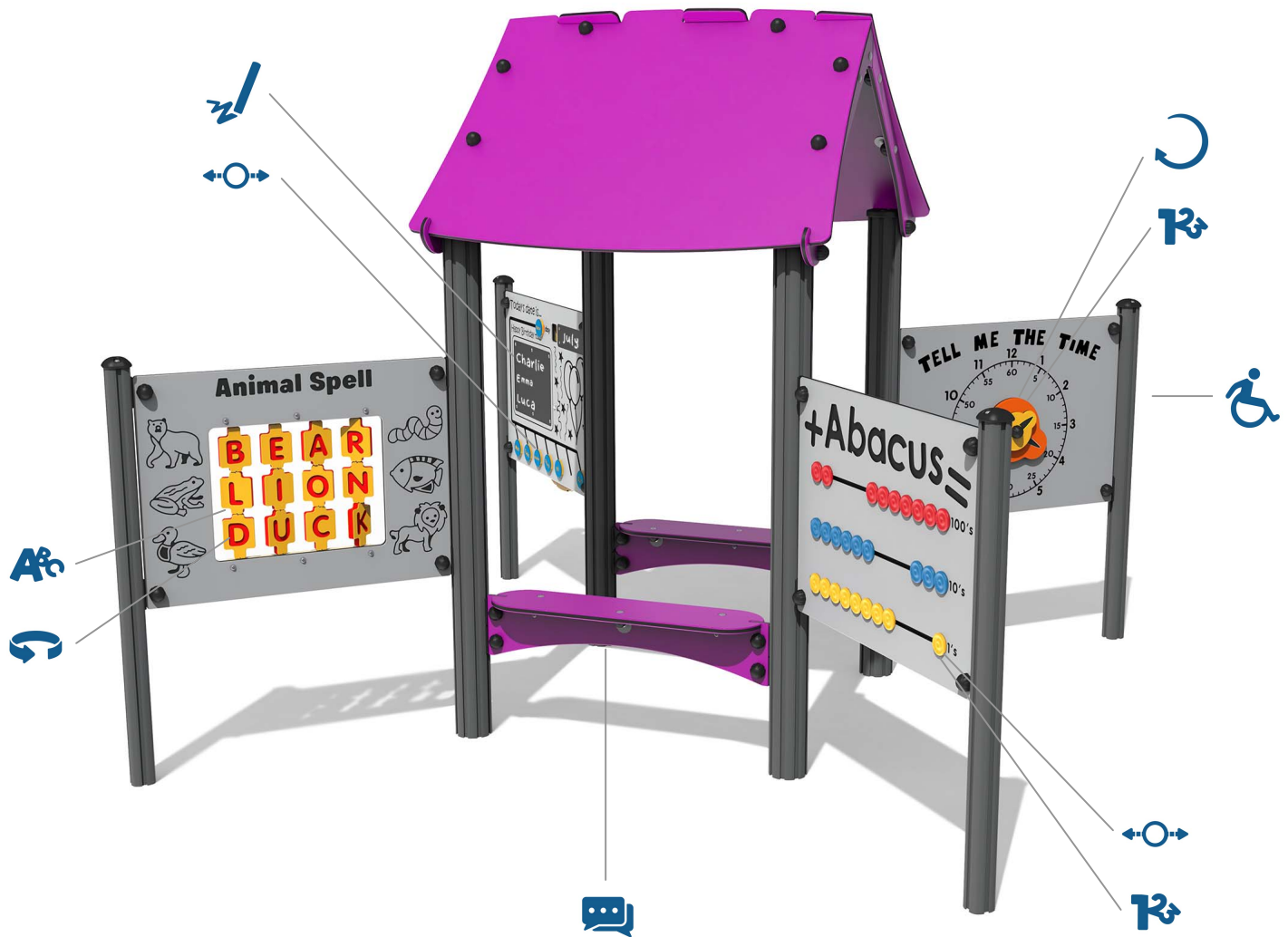
TECHNICAL

Age Range: 2+ Years
Largest Part: Tall Aluminium Post: 100 x 100 x 1785mm
Heaviest Part: Apex Roof Half - 14.5kg
Total Weight: 101kg Approx.
Surfacing: N/A


IMPORTANT: you must specify the colour option you require at the time of order if it is different from the colour listed/shown above, requirements are subject to availability at the time of order

Product Information

FIDENLEA - Learning Den




FEATURES


 **COUNTERS** - Abacus and today's date counters

 **FLIP** - 12 Flip over letter spinners

 **ROTATE** - 360° turn Clock hands

 **INCLUSIVE** - Panels positioned at easily accessible heights

 **DRAW** - Chalkboard activity

 **SOCIAL** - Seating encourages interaction between children

 **LETTERS** - Animal spelling activity

 **NUMBERS** - Develops Counting skills and telling the time

IMPORTANT: you must specify the colour option you require at the time of order if it is different from the colour listed/shown above, requirements are subject to availability at the time of order