

# Product Information

## FIDENGAM - Games Den

BS EN 1176 - Designed to British & European Standards

### MATERIALS

**Panels** - Two Colour  High Density Polyethylene (HDPE)

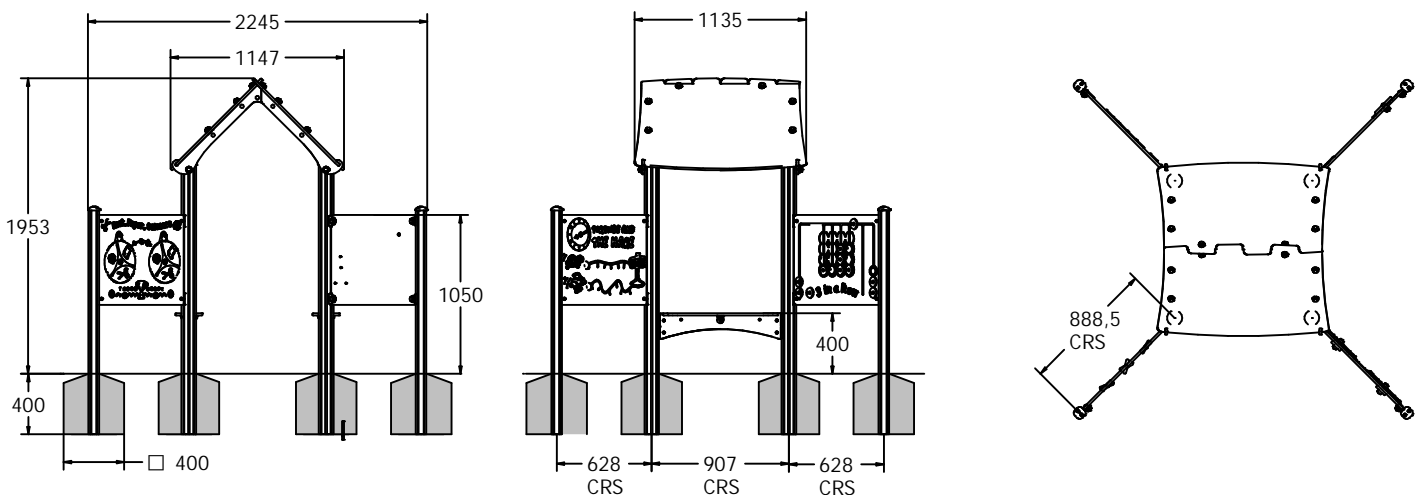
**Posts** - Extruded aluminium post with powder coat finish

### SUPPLY METHOD

Pre-assembled items: Roof, Benches, Panels, Mini Posts



### DIMENSIONS



### TECHNICAL

**Age Range:** 2+ Years  
**Largest Part:** Tall Aluminium Post: 100 x 100 x 1785mm  
**Heaviest Part:** Apex Roof Half - 14.5kg  
**Total Weight:** 100kg Approx.  
**Surfacing:** N/A


IMPORTANT: you must specify the colour option you require at the time of order if it is different from the colour listed/shown above, requirements are subject to availability at the time of order

# Product Information

## FIDENGAM - Games Den



### FEATURES

 **SLIDERS** - Counters used to keep score, and play race game




**INCLUSIVE** - Panels positioned at easily accessible heights

 **ROTATE** - Rock, Paper, Scissors and Tortoise and Hare spinners



**SOCIAL** - Seating and Games encourage interaction

 **FLIP** - Noughts and Crosses flip over discs

 **COUNTER DROP** - 3-in-a-row counters

IMPORTANT: you must specify the colour option you require at the time of order if it is different from the colour listed/shown above, requirements are subject to availability at the time of order