

Product Information

FIDENGAM-AD - Adventure Games Den

BS EN 1176 - Designed to British & European Standards

MATERIALS

Panels - Two Colour  High Density Polyethylene (HDPE)

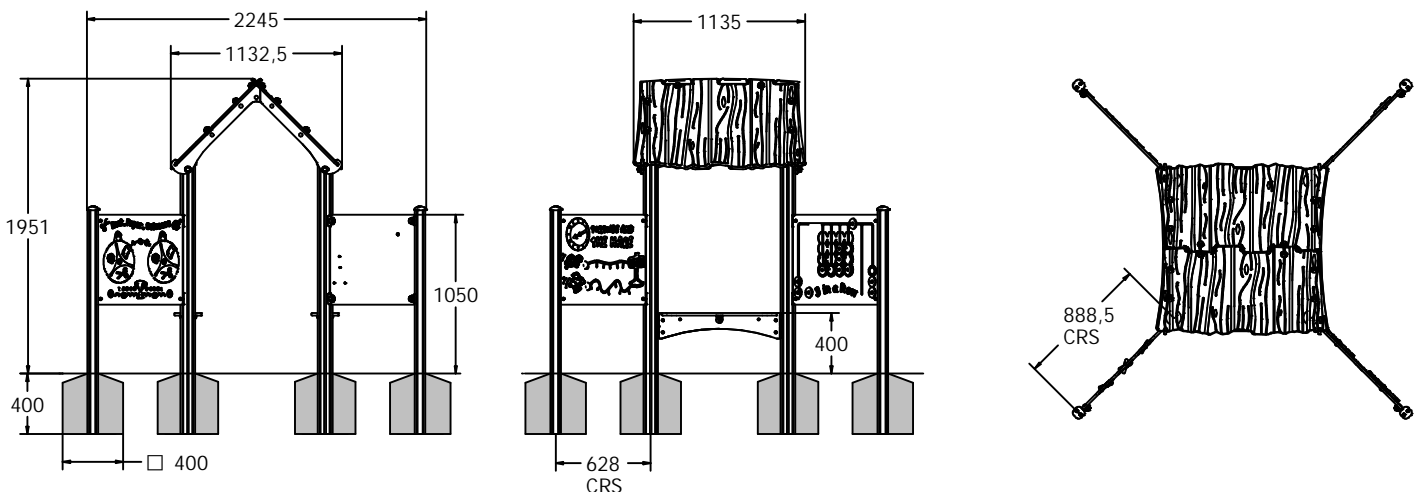
Posts - Extruded aluminium post with powder coat finish

SUPPLY METHOD

Pre-assembled items: Roof, Benches, Panels, Mini Posts



DIMENSIONS



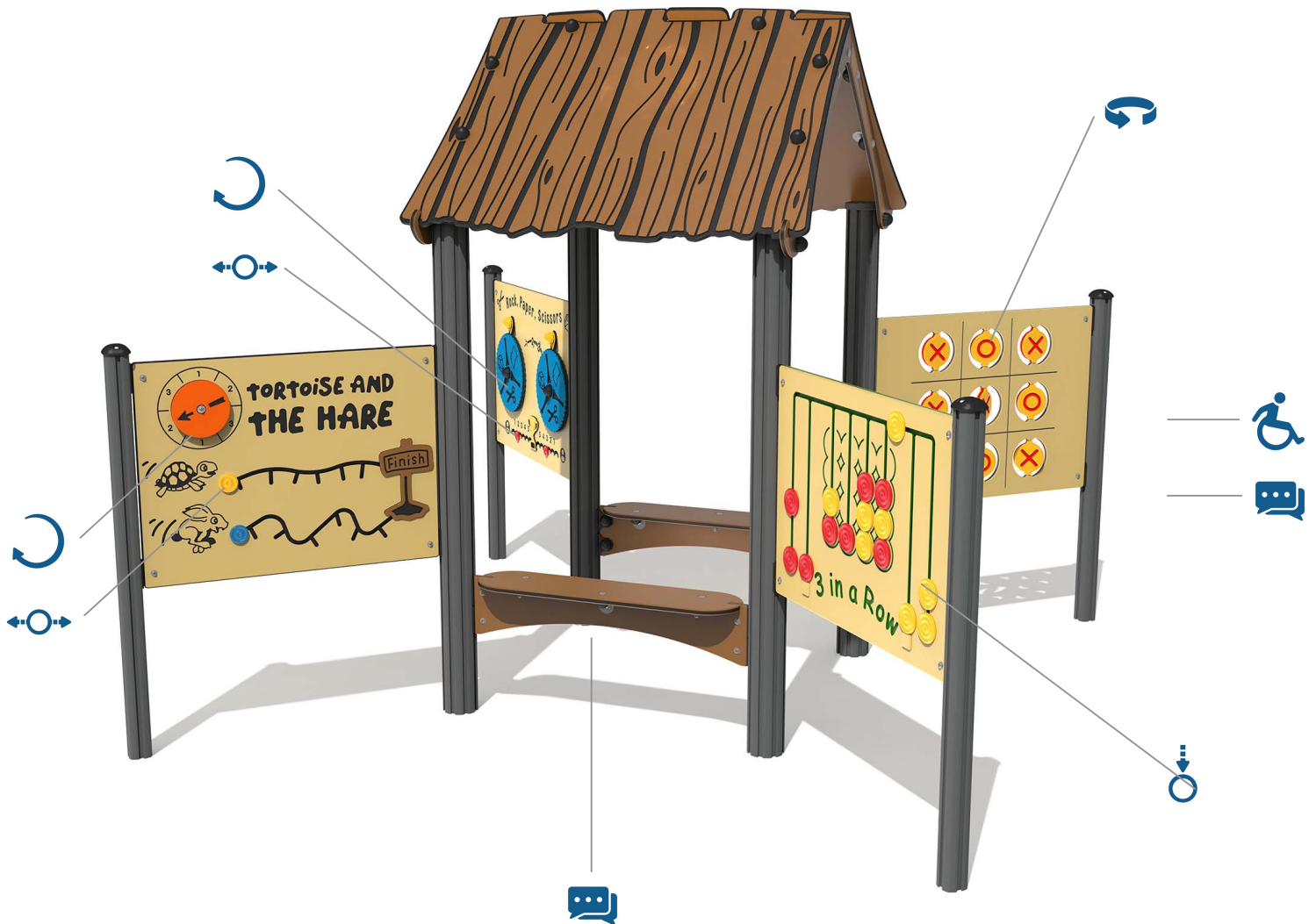
TECHNICAL

Age Range:	2+ Years
Largest Part:	Tall Aluminium Post: 100 x 100 x 1785mm
Heaviest Part:	Adventure Apex Roof Half - 13.2kg
Total Weight:	97kg Approx.
Surfacing:	N/A


IMPORTANT: you must specify the colour option you require at the time of order if it is different from the colour listed/shown above, requirements are subject to availability at the time of order

Product Information


FIDENGAM-AD - Adventure Games Den



FEATURES

 **SLIDERS** - Counters used to keep score, and play race game

 **ROTATE** - Rock, Paper, Scissors and Tortoise and Hare spinners

 **FLIP** - Noughts and Crosses flip over discs

 **COUNTER DROP** - 3-in-a-row counters



INCLUSIVE - Panels positioned at easily accessible heights



SOCIAL - Seating and Games encourage interaction

IMPORTANT: you must specify the colour option you require at the time of order if it is different from the colour listed/shown above, requirements are subject to availability at the time of order