

Product Information

FIDENBAS - Basics Den

BS EN 1176 - Designed to British & European Standards

MATERIALS

Panels - Two Colour  High Density Polyethylene (HDPE)

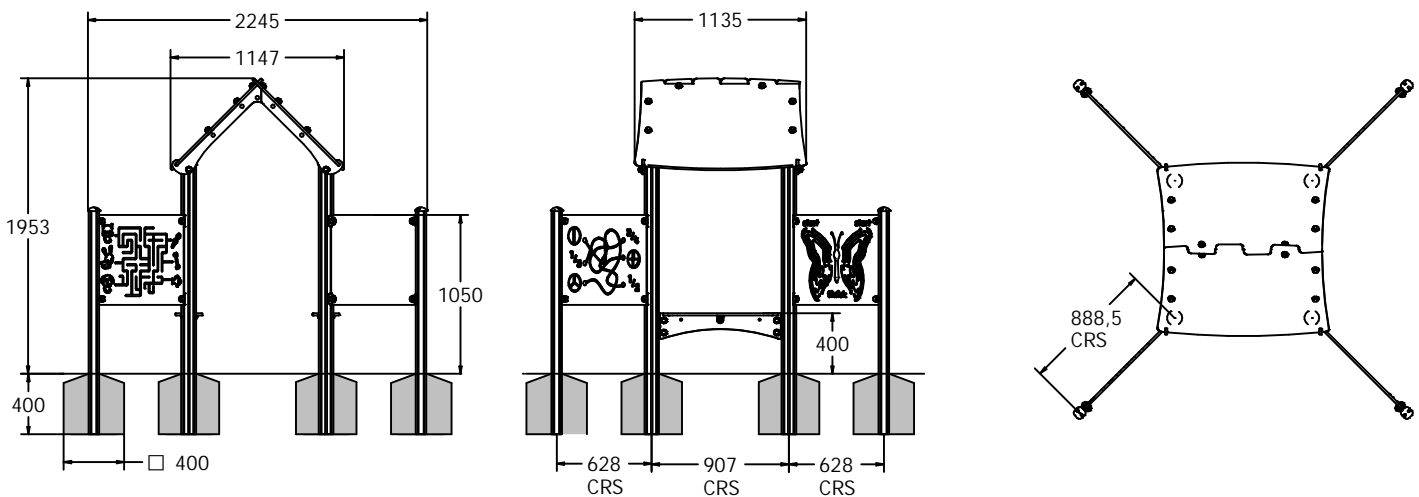
Posts - Extruded aluminium post with powder coat finish

SUPPLY METHOD

Pre-assembled items: Roof, Benches, Panels, Mini Posts



DIMENSIONS



TECHNICAL

Age Range:	2+ Years
Largest Part:	Tall Aluminium Post: 100 x 100 x 1785mm
Heaviest Part:	Apex Roof Half - 14.5kg
Total Weight:	97kg Approx.
Surfacing:	N/A

IMPORTANT: you must specify the colour option you require at the time of order if it is different from the colour listed/shown above, requirements are subject to availability at the time of order

Product Information

FIDENBAS - Basics Den




FEATURES


- 

TOUCH - Finger Maze and Pet Food Pairing activities
- 

INCLUSIVE - Panels positioned at accessible height
- 

NUMBERS - Develops Maths and Fractions skills
- 

SOCIAL - Seating and Maze encourages interaction
- 

LETTERS - Learn how to spell Hello in 4 other Languages
- 

MEMORY - Challenges the child's ability to remember languages

IMPORTANT: you must specify the colour option you require at the time of order if it is different from the colour listed/shown above, requirements are subject to availability at the time of order