

Product Information

FIMINSENIN - Minibeast Sensory Insert

BS EN 1176 - Designed to British & European Standards




MATERIALS

Panel - Two Colour  High Density Polyethylene (HDPE)

SUPPLY METHOD

Insert - Fully assembled

FEATURES

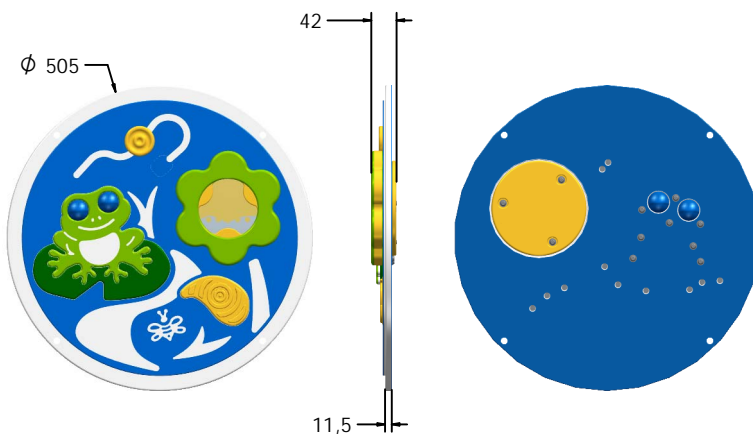
-  **ROLLERBALL** - Frog eyes
-  **SLIDERS** - Injection moulded counter
-  **ROTATE** - Micro flower rotor



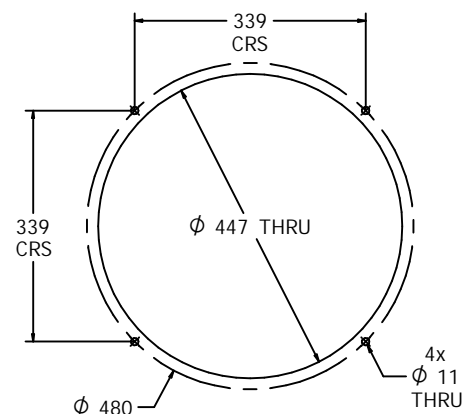
Insert can easily attach to your own panel



DIMENSIONS



Host panel fixing detail



CAD available on request

TECHNICAL

Age Range: 2+ Years
 Largest Part: FIMINSENIN - $\phi 505$ x 45mm
 Total Weight: FIMINSENIN - 4kg
 Surfacing: N/A

IMPORTANT: you must specify the colour option you require at the time of order if it is different from the colour listed/shown above, requirements are subject to availability at the time of order