


Product Information

FITMRE1RG – RotoGen Reactions Totem

BS EN 1176 - Designed to British & European Standards

MATERIALS

Panel - Two Colour  High Density Polyethylene (HDPE)

Beam Edge - Extruded aluminium with powder coat finish

SUPPLY METHOD

Totem - Fully assembled

FEATURES



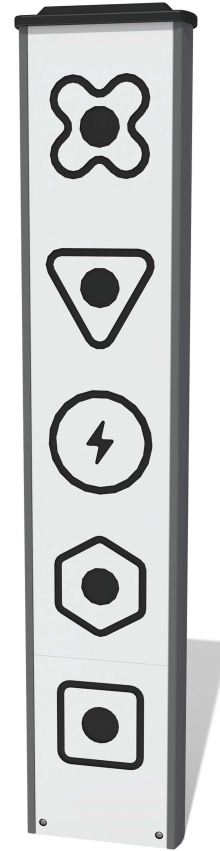
ROTOGEN- Human powered energy for electronics



REACTIONS - Speed based reaction gameplay



Front View



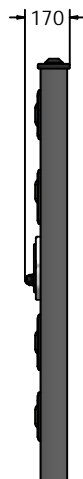
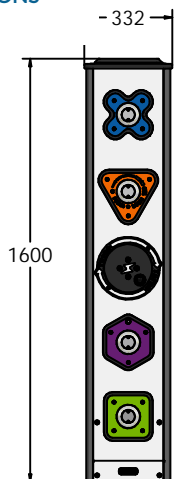
Rear View



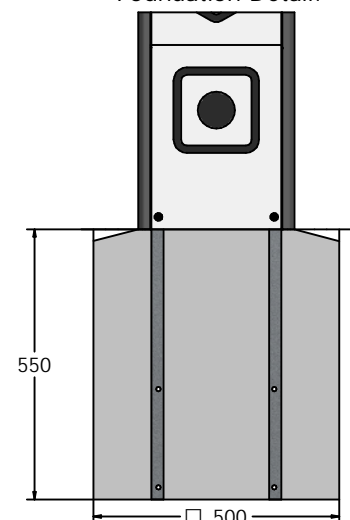
RotoGen 
turn, power, play

ELECTRONICS

DIMENSIONS



Foundation Detail:



TECHNICAL

Age Range: 2+ Years
 Largest Part: FITMRE1RG - 332 x 1600 x 170mm
 Total Weight: FITMRE1RG - 26.5kg
 Surfacing: N/A

IMPORTANT: you must specify the colour option you require at the time of order if it is different from the colour listed/shown above, requirements are subject to availability at the time of order