

# Product Information

## FISWBOX - Modular Sand Box

BS EN 1176 - Designed to British & European Standards

### MATERIALS

**Panel** - Single Colour High Density Polyethylene (HDPE)

**Outer Posts** - Extruded aluminium post with powder coat finish

**Inner Posts** - Recycled Plastic with textured finish

### SUPPLY METHOD


**Panels** - Assembled


**Posts** - Posts with caps

**Sand** - Not Included

### FEATURES

 **SOCIAL** - Shared engagement in play

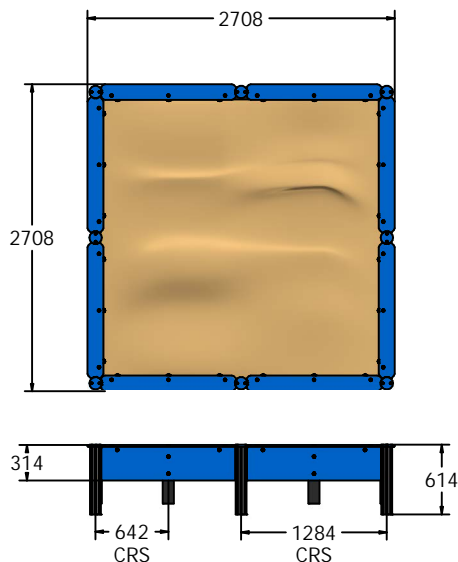
 **TOUCH** - Sand has a very tactile quality

 **ACTIVE** - Encourages exercise through digging and shaping

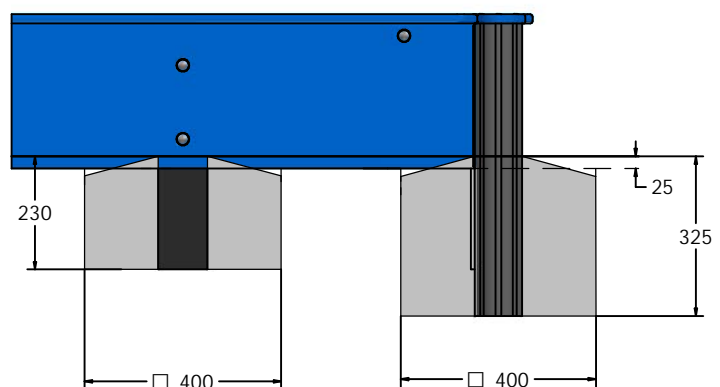


SEE PAGE 2 FOR MORE LAYOUTS

### DIMENSIONS



Foundation Detail:



### TECHNICAL

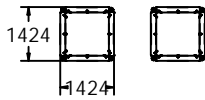
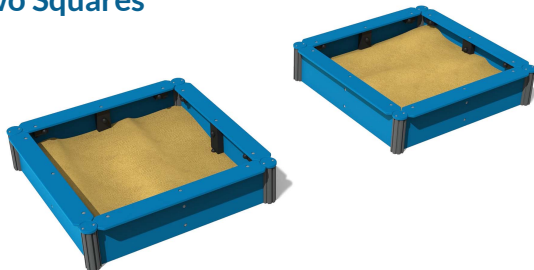
**Age Range:** 2+ Years  
**Largest Part:** Side Panel - 1200 x 314 x 152mm  
**Total Weight:** 111kg  
**Surfacing:** N/A

IMPORTANT: you must specify the colour option you require at the time of order if it is different from the colour listed/shown above, requirements are subject to availability at the time of order

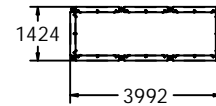
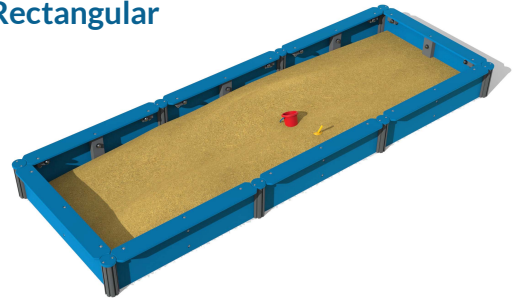
## Product Information

### FISWBOX - Modular Sand Box - Layout Options

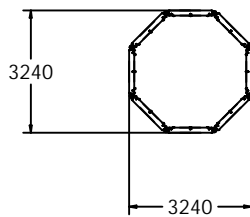
Two Squares



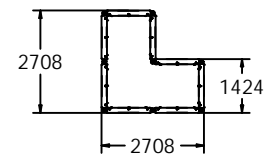
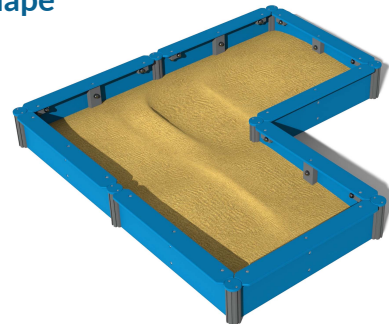
Rectangular



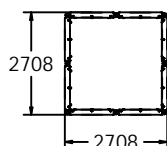
Octagon



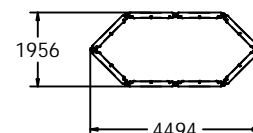
L Shape



Square



Boat



IMPORTANT: you must specify the colour option you require at the time of order if it is different from the colour listed/shown above, requirements are subject to availability at the time of order