

# Product Information

## FIMUMWLIN - Large Melody Wheel Musical Insert

BS EN 1176 - Designed to British & European Standards

### MATERIALS

**Panel** - Two Colour High Density Polyethylene(HDPE)

**Melody Wheel** - High Density Polyethylene (HDPE)

### SUPPLY METHOD

Insert - Fully assembled

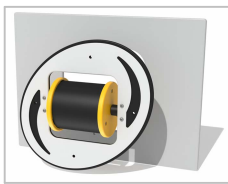
### FEATURES



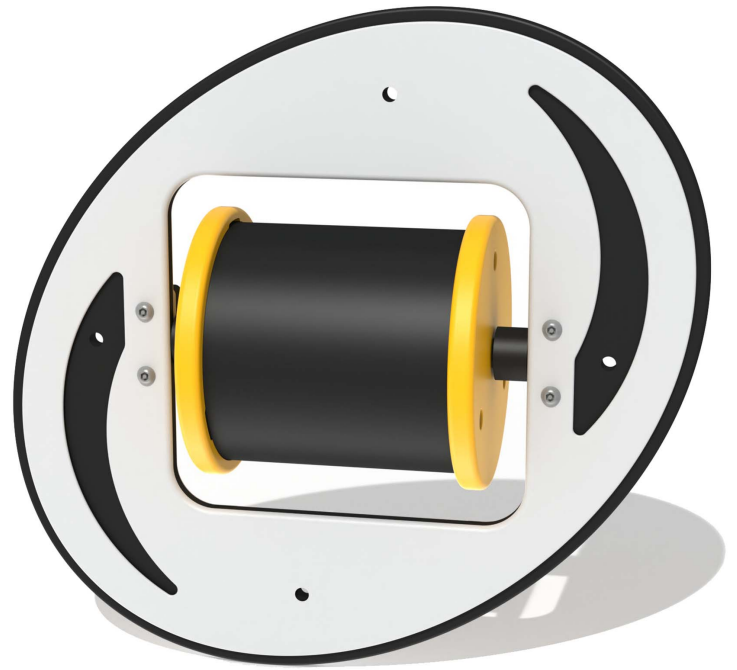
**MUSICAL** - Hidden cam strikes chimes inside



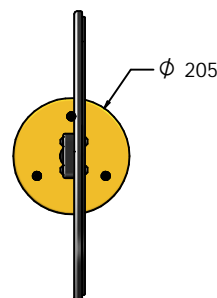
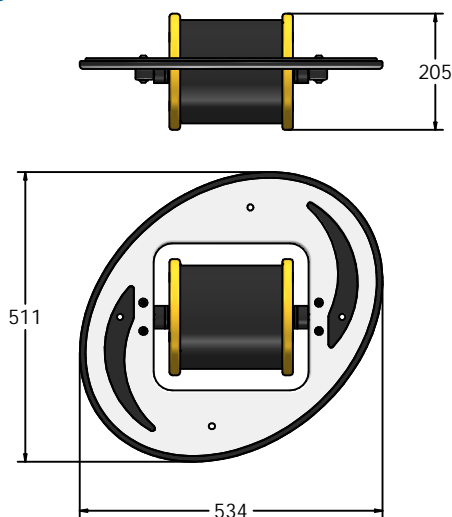
**ROTATE** - Spin at various speeds



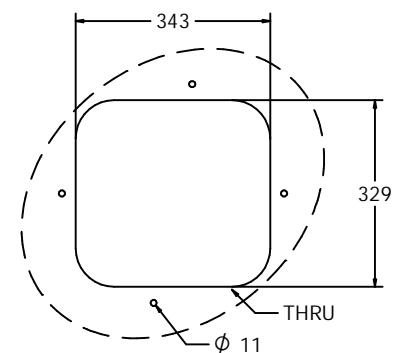
Insert can easily attach to your own panel



### DIMENSIONS



### Host panel fixing detail



CAD available on request

### TECHNICAL

**Age Range:** 2+ Years  
**Largest Part:** 534 x 511 x 205mm  
**Total Weight:** 5kg Approx  
**Surfacing:** N/A

IMPORTANT: you must specify the colour option you require at the time of order if it is different from the colour listed/shown above, requirements are subject to availability at the time of order