


Product Information

FIROLLSMIN - Mini Roller Ball Insert

BS EN 1176 - Designed to British & European Standards

MATERIALS

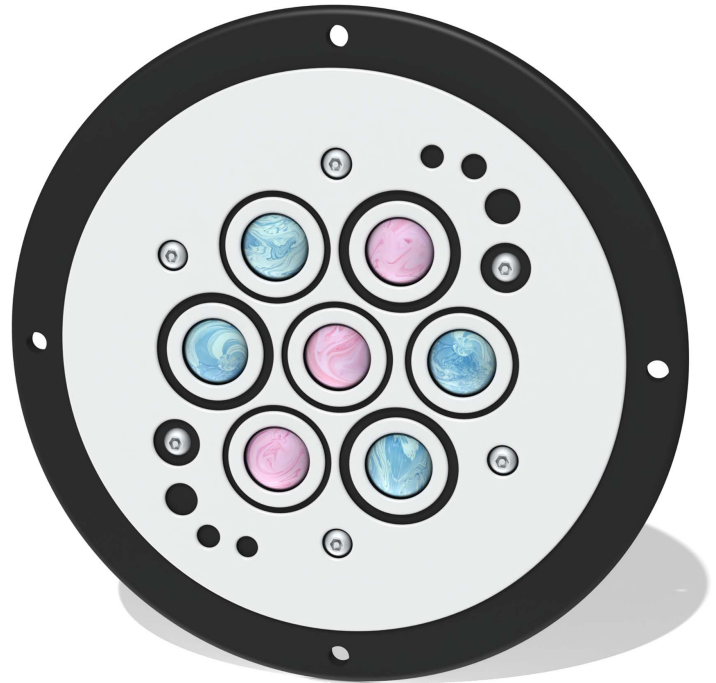
Panel - Two Colour  High Density Polyethylene (HDPE)

SUPPLY METHOD

Insert - Fully assembled

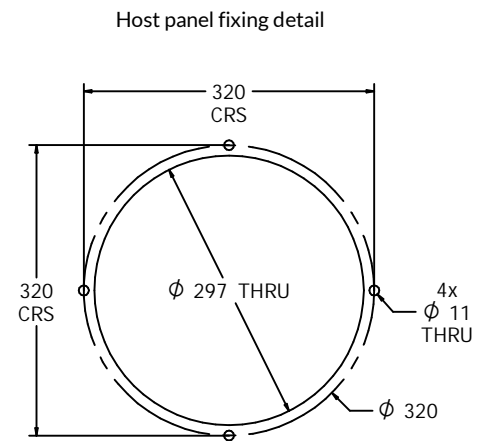
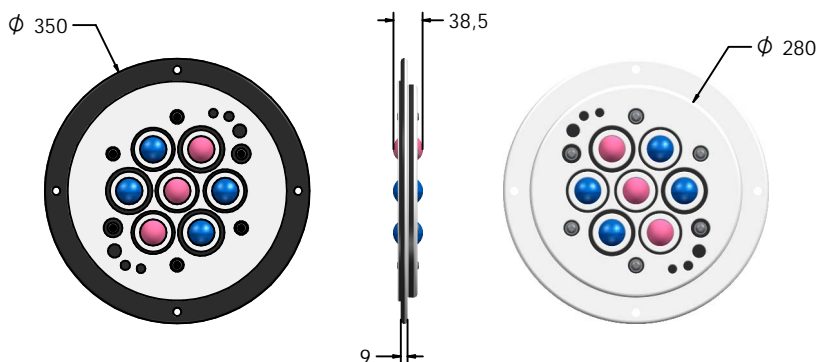
FEATURES

 **ROLLERBALL** - Pink and blue roller balls



Insert can easily attach to your own panel

DIMENSIONS



CAD available on request

TECHNICAL

Age Range: 2+ Years
Largest Part: FIROLLSMIN - Ø350 x 38.5mm
Total Weight: FIROLLSMIN - 1.8kg
Surfacing: N/A

IMPORTANT: you must specify the colour option you require at the time of order if it is different from the colour listed/shown above, requirements are subject to availability at the time of order