

# Product Information

## FIMZSLSMIN - Mini Maze Slider Insert

BS EN 1176 - Designed to British & European Standards

### MATERIALS

Panel - Two Colour  High Density Polyethylene (HDPE)

### SUPPLY METHOD

Insert - Fully assembled

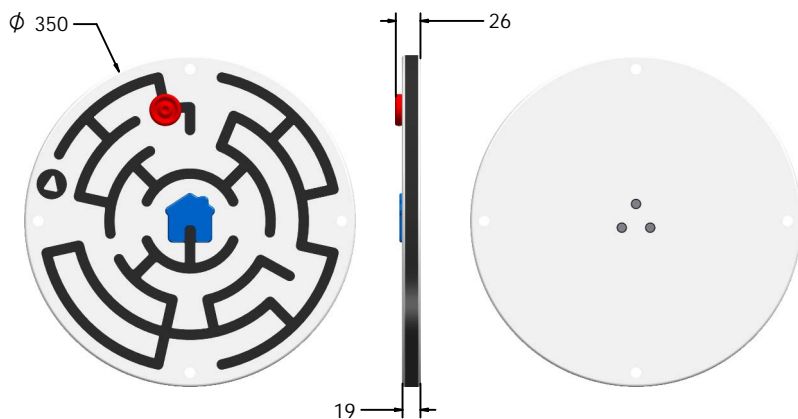
### FEATURES

 SLIDERS - Sliding counter

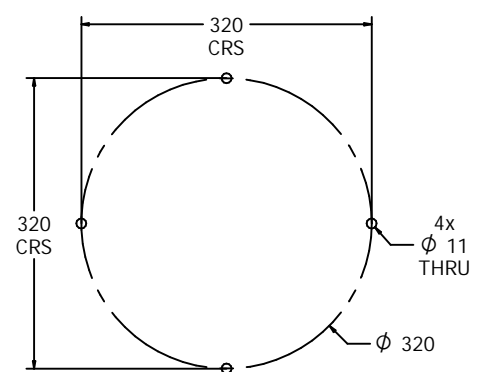


Insert can easily attach to your own panel

### DIMENSIONS



### Host panel fixing detail



CAD available on request

### TECHNICAL

Age Range: 2+ Years  
 Largest Part: FIMZSLSMIN - Ø350 x 26mm  
 Total Weight: FIMZSLSMIN - 1.4kg  
 Surfacing: N/A

IMPORTANT: you must specify the colour option you require at the time of order if it is different from the colour listed/shown above, requirements are subject to availability at the time of order