

Product Information

FIPTREHXRG - RotoGen Hex Reactions Station

BS EN 1176 - Designed to British & European Standards

MATERIALS

Panel - Two Colour High Density Polyethylene (HDPE)


Post & Edge Beam - Extruded aluminium with powder coat finish


SUPPLY METHOD

Main Unit - Pre-assembled Main Unit

Posts - Pre-assembled Aluminium Posts

FEATURES

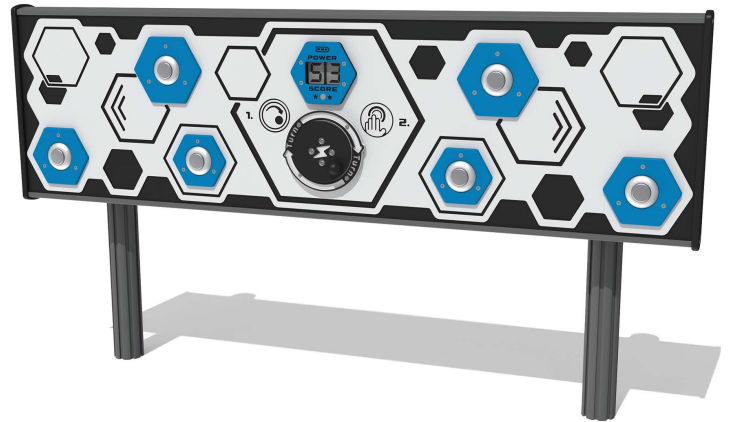
 **ROTOGEN** - Human powered energy for electronics

 **REACTIONS** - Speed based reaction gameplay

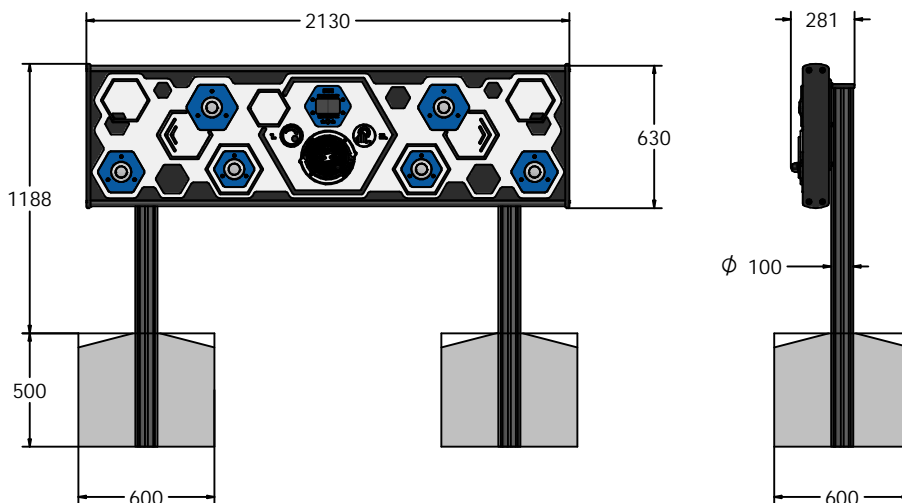


RotoGen • 
turn, power, play

ELECTRONICS



DIMENSIONS



TECHNICAL

Age Range: 4+ Years
Largest Part: Main Unit - 2130 x 630 x 281mm
Heaviest Part: Main Unit - 45kg
Total Weight: 62.5kg
Surfacing: N/A

IMPORTANT: you must specify the colour option you require at the time of order if it is different from the colour listed/shown above, requirements are subject to availability at the time of order