

Product Information

FIPTSTPANIN - PlayTronic Steel Pan Musical Insert

BS EN 1176 - Designed to British & European Standards


MATERIALS


Panel - Two Colour High Density Polyethylene (HDPE)

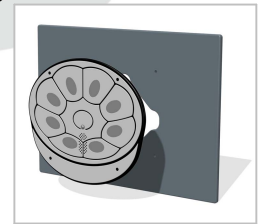
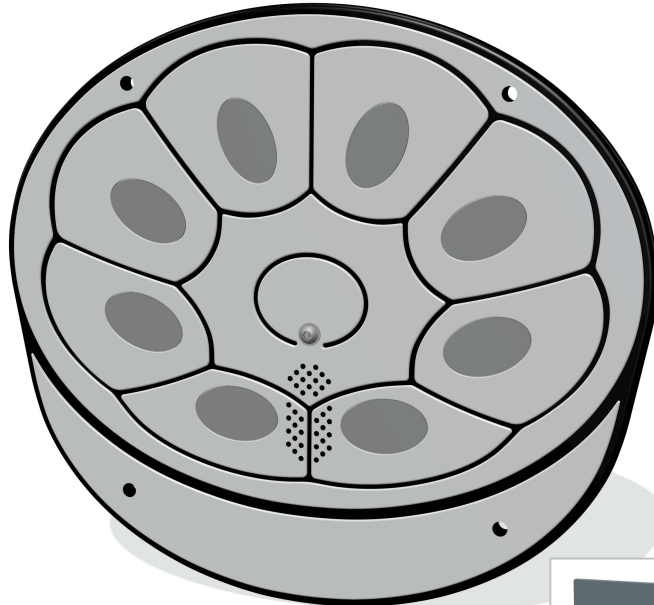
SUPPLY METHOD

Insert - Fully assembled

FEATURES

 **MUSICAL** - 6 Different steel pan drum notes

 **BATTERY** - Battery powered PlayTronic tongue drum



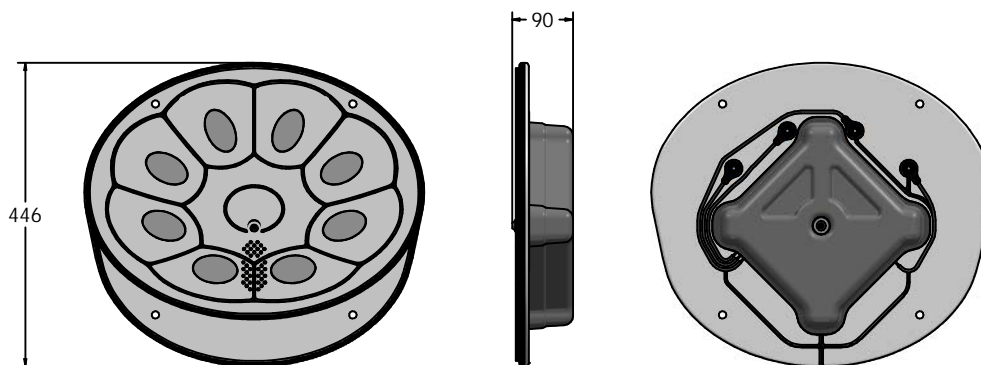
Insert can be easily attached to your own panel



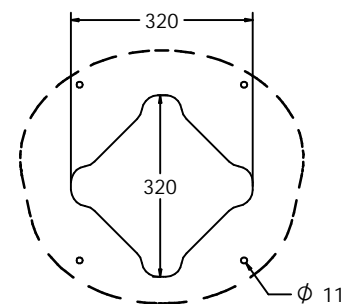
ELECTRONICS

PlayTronic
outdoor electronics

DIMENSIONS



Host panel fixing detail



CAD available on request

TECHNICAL

Age Range: 2+ Years
Largest Part: 500 x 446 x 90mm
Total Weight: 4.3kg
Surfacing: N/A

IMPORTANT: you must specify the colour option you require at the time of order if it is different from the colour listed/shown above, requirements are subject to availability at the time of order