

Product Information

FIPTSSAFAIN - Safari Sounds Insert (BATTERY POWERED)

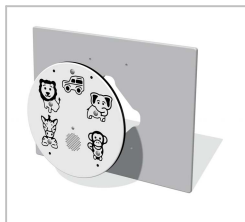
BS EN 1176 - Designed to British & European Standards

MATERIALS

Panel - Two Colour High Density Polyethylene (HDPE)

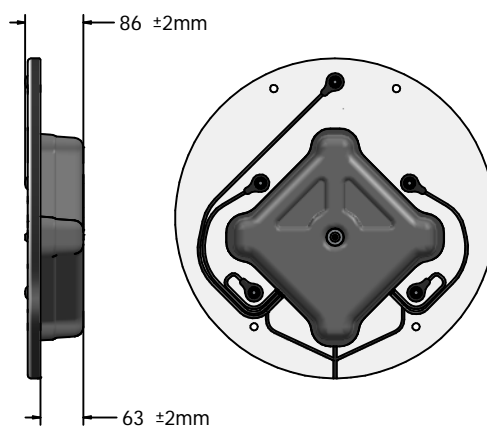
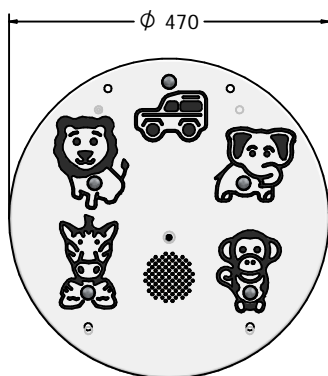
SUPPLY METHOD

Insert - Fully assembled

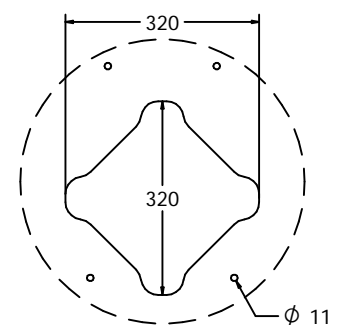


Insert can easily attach to your own panel

DIMENSIONS



Host panel fixing detail



CAD available on request

TECHNICAL

Age Range: 2+ Years
 Largest Part: $\phi 470 \times 86\text{mm}$
 Total Weight: 4.5kg
 Surfacing: N/A

IMPORTANT: you must specify the colour option you require at the time of order if it is different from the colour listed/shown above, requirements are subject to availability at the time of order