

Product Information

FIPTSFARMIN - PlayTronic Farm Sounds Insert

BS EN 1176 - Designed to British & European Standards

MATERIALS

Panel - Two Colour High Density Polyethylene (HDPE)

SUPPLY METHOD

Insert - Fully assembled

FEATURES



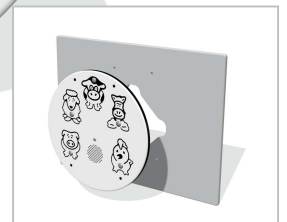
INTERACTIVE - Touch sensitive buttons



LISTEN - Listen to Farm Animal sounds



BATTERY - Battery powered PlayTronic Sounds



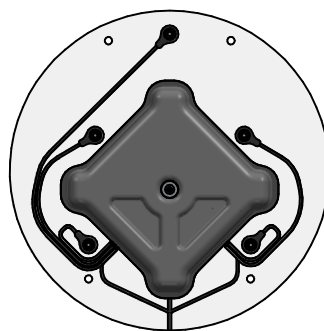
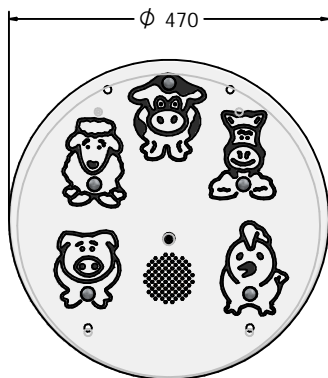
Insert can be easily attached to your own panel



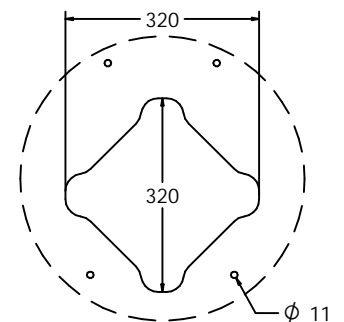
PlayTronic
outdoor electronics

ELECTRONICS

DIMENSIONS



Host panel fixing detail



CAD available on request

TECHNICAL

Age Range: 2+ Years
Largest Part: $\phi 470 \times 90\text{mm}$
Total Weight: 4.5kg Approx
Surfacing: N/A

IMPORTANT: you must specify the colour option you require at the time of order if it is different from the colour listed/shown above, requirements are subject to availability at the time of order