

Product Information

VETOADT - Toadstool Seat Top

BS EN 1176 - Designed to British & European Standards

MATERIALS

Panels - High Density Polyethylene (HDPE_

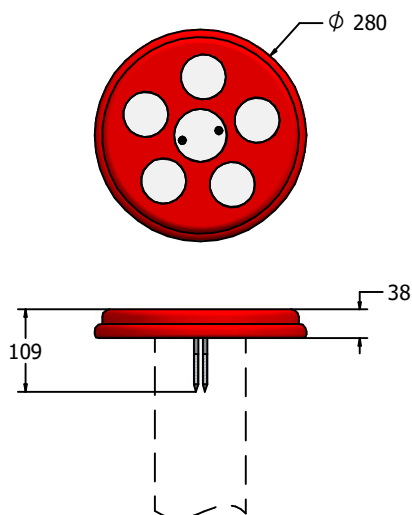
SUPPLY METHOD

Toadstool Seat - Supplied with fixings needed to attach to post (post not supplied)



Fixing Method
(Post not included)

DIMENSIONS



Blue



Orange



Green

TECHNICAL

Age Range:	2+ Years
Largest Part:	Disc Assembly - $\phi 280 \times 38\text{mm}$
Heaviest Part:	Disc Assembly - 2.5kg Approx.
Total Weight:	2.5kg Approx.
Surfacing:	N/A

IMPORTANT: you must specify the colour option you require at the time of order if it is different from the colour listed/shown above, requirements are subject to availability at the time of order