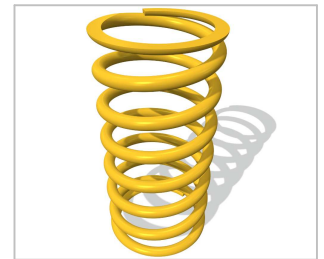
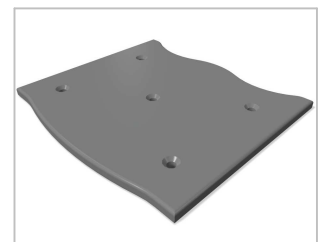


Product Information

FS2019 - Sit-In Stegosaurus Spring Rocker

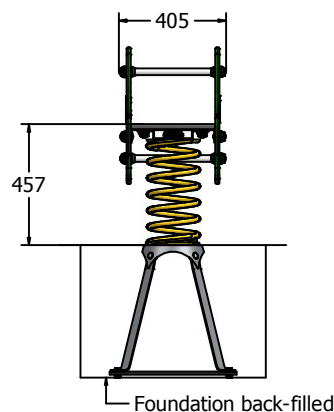
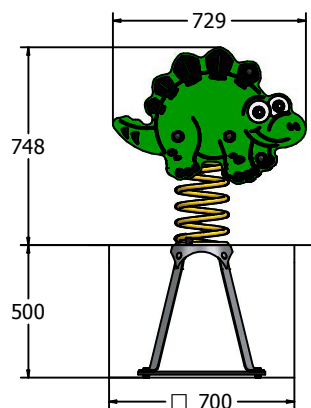


High Quality Steel Spring



Smooth Polydek Grip Seat

Designed to British & European
Standard BS EN 1176



Supply Method

Stegosaurus Assembly
Assembled with Fixing Pack
& Instructions

400mm Spring Assembly
Fully Assembled

Ground Anchor
Loose Components with Fixing Pack
& Instructions

Age Range:	2+ Years
Largest Part:	Stegosaurus Assembly
Total Weight:	39Kg
FFH (Free Fall Height)	0.457m

Inspection Schedule	Inspection Frequency
Visual	Every Month
Functionality	Every Month
Comprehensive	Every 6 Months

Material: **Design Panel** - High Density Polyethylene (HDPE) with orange peel texture finish
Spring & Brackets - Powder coated steel
Ground Anchor - Galvanised steel

Colour Choices: **Design Panel** - Broad selection available, visit the website below for further details