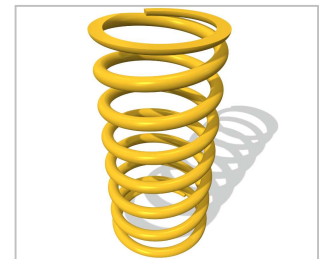
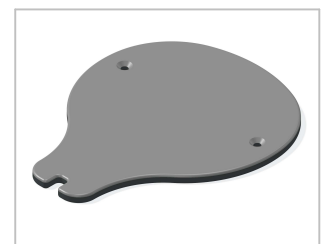


Product Information

FS1005 - Sit-On Seal Spring Rocker

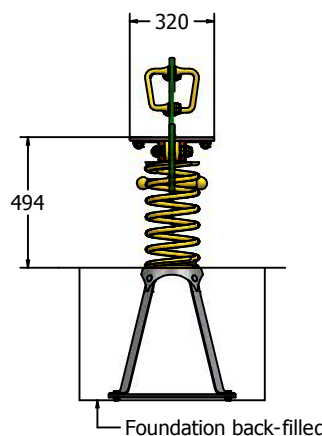
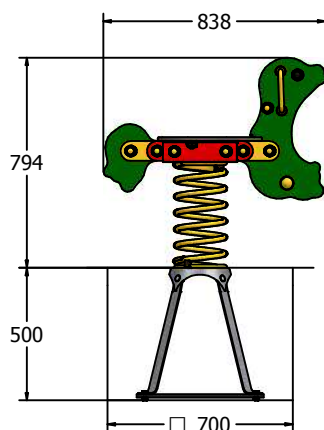


High Quality Steel Spring



Smooth Polydek Seat

Designed to British & European Standard BS EN 1176



- Supply Method
- Seal Assembly
Assembled (Seat Loose) with Fixing Pack & Instructions.
- 400mm Spring Assembly
Fully Assembled
- Ground Anchor
Loose Components with Fixing Pack & Instructions

Age Range: 2+ Years
 Largest Part: Seal Assembly - 540 x 838 x 204mm
 Heaviest Part: Spring Assembly - 20 Kg approx.
 Total Weight: 29 Kg approx.
 FFH (Free Fall Height): 494mm
 Surfacing : 1m from extremes of equipment with a Critical Fall Height in excess of 494mm

Inspection Schedule	Inspection Frequency
Visual	Every Month
Functionality	Every Month
Comprehensive	Every 6 Months

Material: **Design Panel** - High Density Polyethylene (HDPE) with orange peel texture finish
Spring & Brackets - Powder coated steel
Ground Anchor - Galvanised steel

Colour Choices: **Design Panel** - Broad selection available, visit the website below for further details