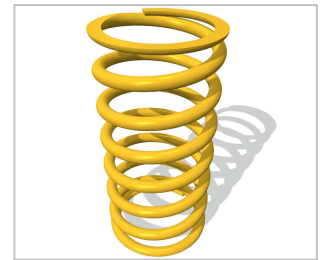
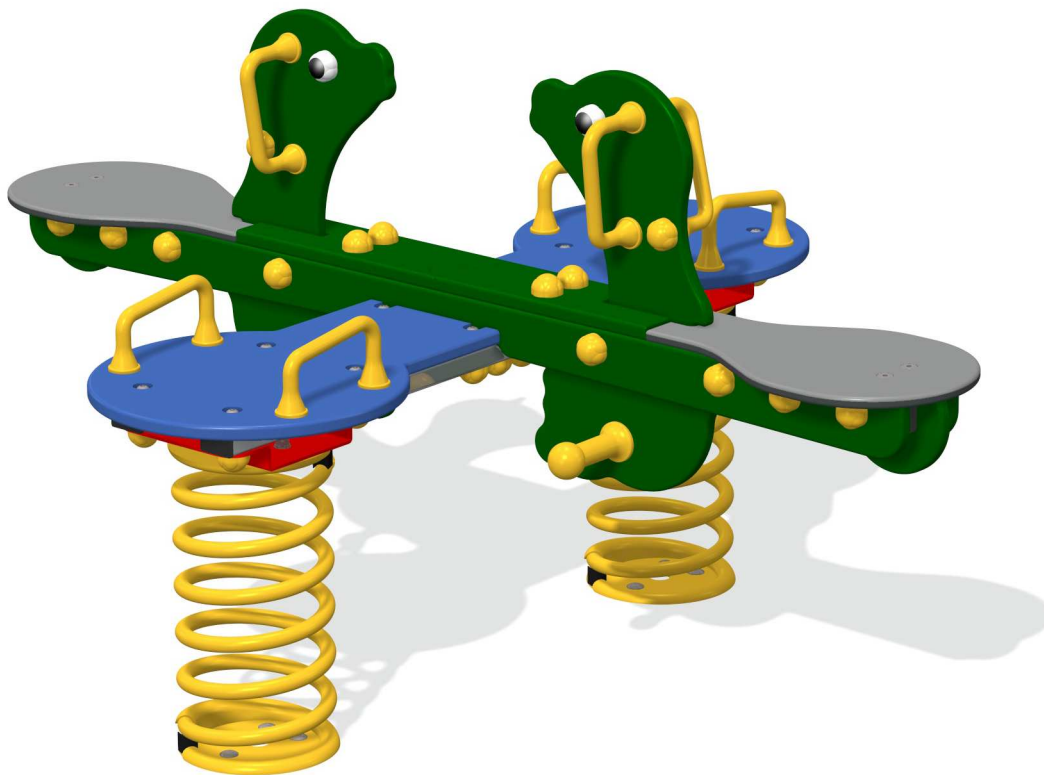
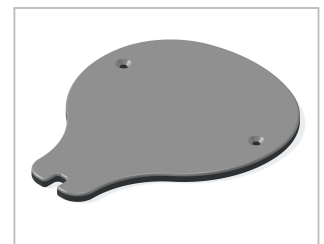


Product Information

FSSSSEAL - Seal 4-Way Spring Seesaw



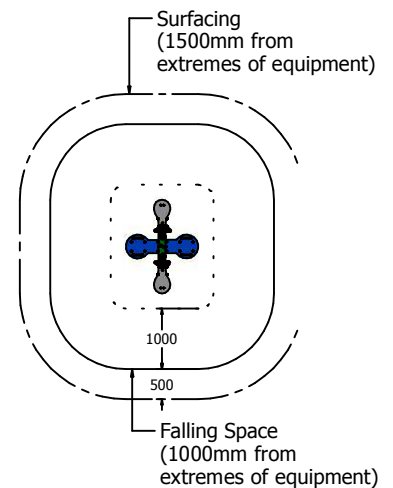
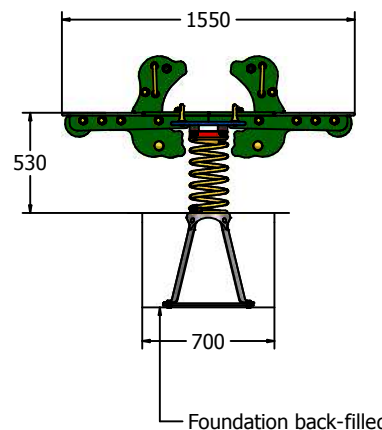
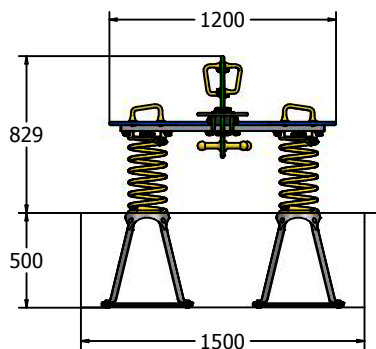
High Quality Steel Spring



Smooth Polydek Seat

Supply Method

Seesaw Sections pre-assembled
(spring assemblies separate)
to assist easy installation.



Designed to British & European
Standard BS EN 1176

Age Range: 3 to 7
Largest Part: Seesaw Seat Assembly 550 x 1200 x 269mm
Total Weight: 85kg approx.
Heaviest Part: Seesaw Seat Assembly - 25kg approx.
Free Height of Fall (FFH): 850mm to centre of seat at maximum spring deflection.
Surfacing : Surface 1.5m from the extremes of the equipment. Surface's Critical Fall Height to be in excess of 850mm.

Material: **Design Panel** - High Density Polyethylene (HDPE) with orange peel texture finish
Smooth PolyDek Panel - Recycled High Density Polyethylene (HDPE) with smooth rubber top surface
Spring & Brackets - Powder coated steel
Ground Anchor - Galvanised steel

Colour Choices: **Design Panel** - Broad selection available, visit the website below for further details
Smooth PolyDek Panel - Available in Blue and Grey, visit the website below for further details