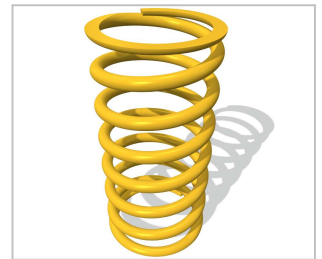
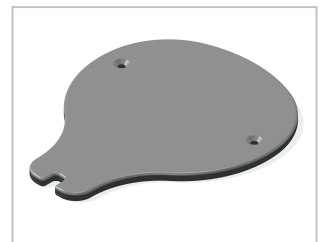


Product Information

FS1007 - Sit-On Quack (Duck) Spring Rocker

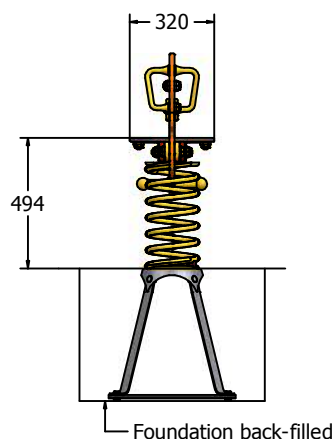
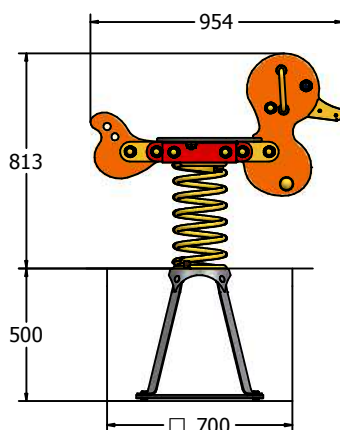


High Quality Steel Spring



Smooth Polydek Seat

Designed to British & European
Standard BS EN 1176



Supply Method

Quack (Duck) Assembly
Assembled (Seat Loose) with Fixing
Pack & Instructions.

400mm Spring Assembly
Fully Assembled

Ground Anchor
Loose Components with Fixing Pack
& Instructions

Age Range: 2+ Years
Largest Part: Quack (Duck) Assembly - 540 x 954 x 204mm
Heaviest Part: Spring Assembly 20 Kg approx.
Total Weight: 29 Kg approx.
FFH (Free Fall Height) 494mm
Surfacing : 1m from extremes of equipment with a Critical Fall Height in excess of 494mm

Inspection Schedule	Inspection Frequency
Visual	Every Month
Functionality	Every Month
Comprehensive	Every 6 Months

Material: **Design Panel** - High Density Polyethylene (HDPE) with orange peel texture finish
Spring & Brackets - Powder coated steel
Ground Anchor - Galvanised steel

Colour Choices: **Design Panel** - Broad selection available, visit the website below for further details