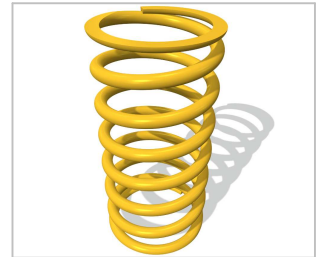
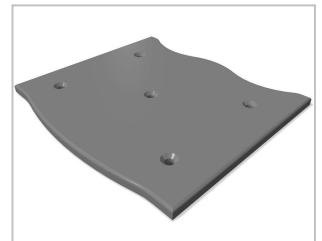


Product Information

FS2006 - Sit-In Moo (Cow) Spring Rocker

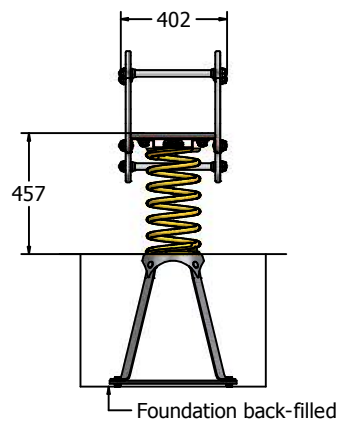
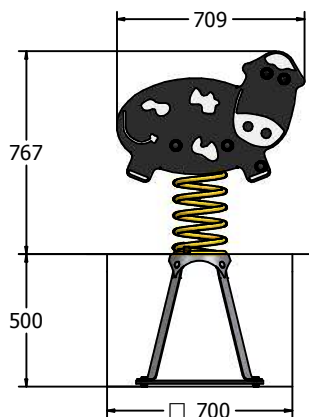


High Quality Steel Spring



Smooth Polydek Seat

Designed to British & European
Standard BS EN 1176



Supply Method

Moo (Cow) Assembly
Assembled with Fixing Pack
& Instructions

400mm Spring Assembly
Fully Assembled

Ground Anchor
Loose Components with Fixing Pack
& Instructions

Age Range: 2+ Years
Largest Part: Moo (Cow) Assembly - 495 x 709 x 402mm
Heaviest Part: Spring Assembly 20 Kg approx.
Total Weight: 34 Kg approx.
FFH (Free Fall Height): 457mm
Surfacing : 1m from extremes of equipment with a Critical Fall Height in excess of 457mm

Inspection Schedule	Inspection Frequency
Visual	Every Month
Functionality	Every Month
Comprehensive	Every 6 Months

Material: **Design Panel** - High Density Polyethylene (HDPE) with orange peel texture finish
Spring & Brackets - Powder coated steel
Ground Anchor - Galvanised steel

Colour Choices: **Design Panel** - Broad selection available, visit the website below for further details