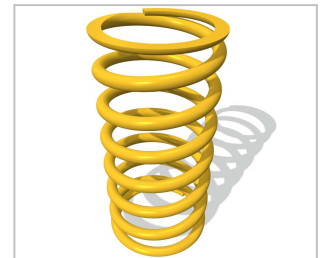
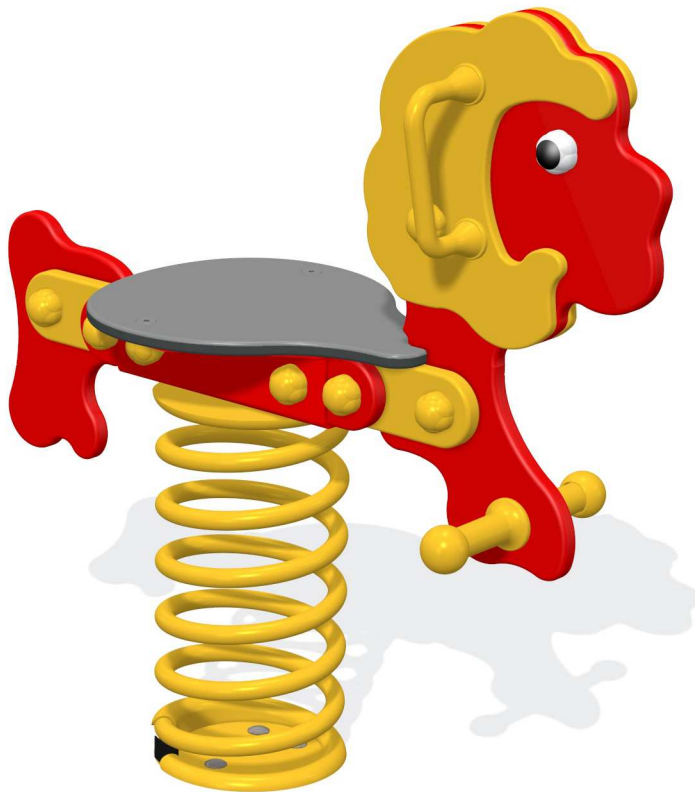
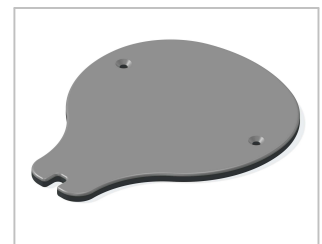


Product Information

FS1013 - Sit-On Lion Spring Rocker

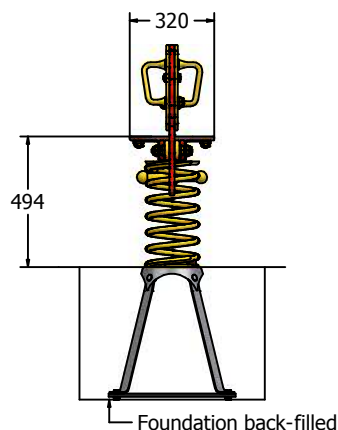
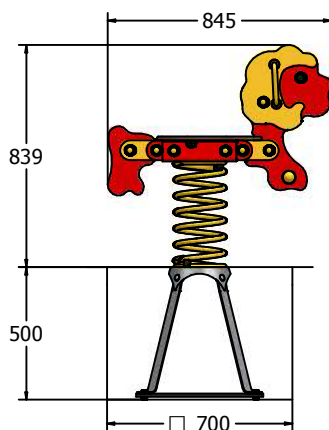


High Quality Steel Spring



Smooth Polydek Seat

Designed to British & European Standard BS EN 1176



Supply Method
Lion Assembly
Assembled (Seat Loose) with Fixing Pack & Instructions.
400mm Spring Assembly
Fully Assembled
Ground Anchor
Loose Components with Fixing Pack & Instructions

Age Range: 2+ Years
Largest Part: Lion Assembly - 550 x 845 x 204mm
Heaviest Part: Spring Assembly 20 Kg approx.
Total Weight: 30 Kg approx.
FFH (Free Fall Height): 494mm
Surfacing : 1m from extremes of equipment with a Critical Fall Height in excess of 494mm

Inspection Schedule	Inspection Frequency
Visual	Every Month
Functionality	Every Month
Comprehensive	Every 6 Months

Material: **Design Panel** - High Density Polyethylene (HDPE) with orange peel texture finish
Spring & Brackets - Powder coated steel
Ground Anchor - Galvanised steel

Colour Choices: **Design Panel** - Broad selection available, visit the website below for further details