

Product Information

FSSP15 - Spring Plank 1500mm

BS EN 1176 - Designed to British & European Standards

MATERIALS

PolyDek - HDPE with a rubber button grip top surface

Spring & Brackets - Powder coated steel

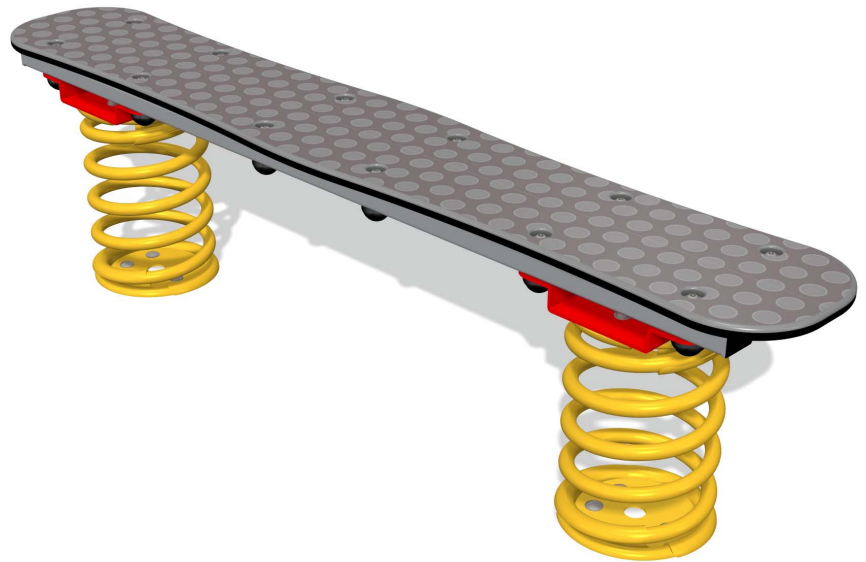
Ground Anchor - Galvanised steel

SUPPLY METHOD

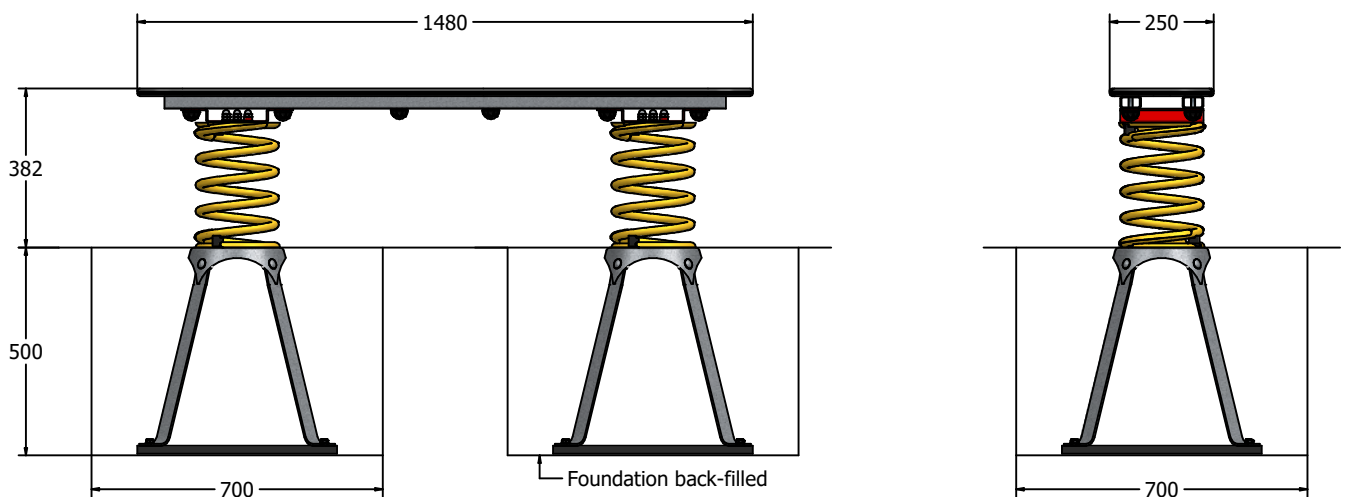
Plank Assembly - Assembled with fixing pack

300mm Spring Assembly - Fully Assembled (x2)

Ground Anchor - Loose components with fixings



DIMENSIONS



TECHNICAL

Age Range:	2+ Years
Largest Part:	Plank Assembly - 48 x 1480 x 250mm
Heaviest Part:	Spring Assembly - 20kg Approx.
Total Weight:	50kg Approx.
FFH (Free Fall Height):	382mm
Surfacing:	1.5m from extrememes of equipment with a Critical Fall Height in excess of 600mm

IMPORTANT: you must specify the colour option you require at the time of order if it is different from the colour listed/shown above, requirements are subject to availability at the time of order