

# Product Information

## FSSP15 - Spring Plank

BS EN 1176 - Designed to British & European Standards

### MATERIALS

**PolyDek** - HDPE with a rubber button grip top surface

**Spring & Brackets** - Powder coated steel

**Ground Anchor** - Galvanised steel

### SUPPLY METHOD

**Plank Assembly** - Assembled with fixing pack

**300mm Spring Assembly** - Fully Assembled (x2)

**Ground Anchor** - Loose components with fixings



### FEATURES



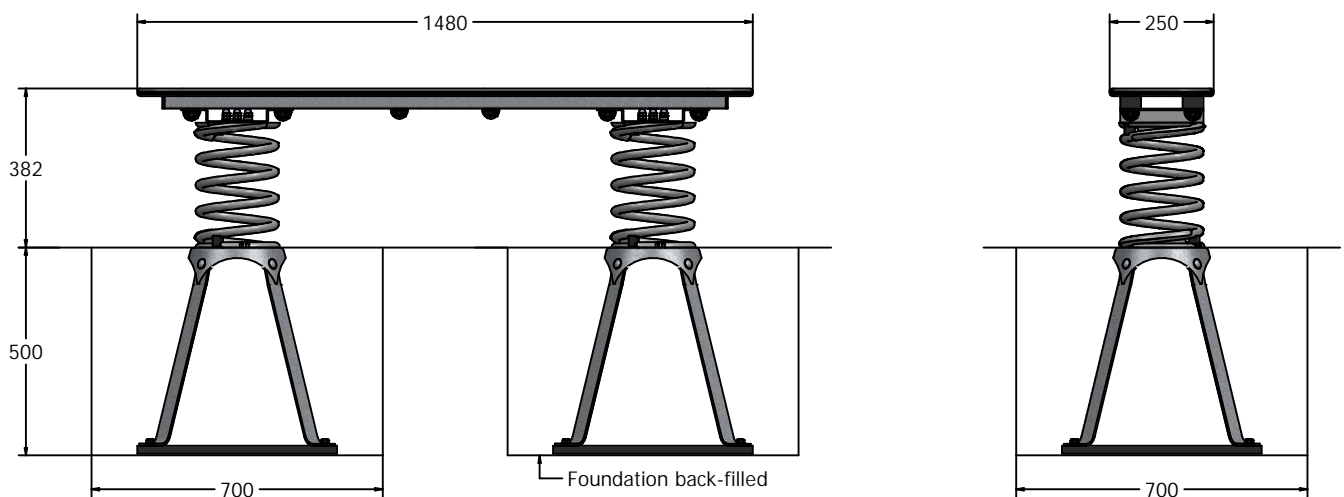
**SPRING** - Spring balance maze



**BALANCE** - Balance yourself on the platform



### DIMENSIONS



### TECHNICAL

<b>Age Range:</b>	2+ Years
<b>Largest Part:</b>	Plank Assembly - 1480 x 382 x 250mm
<b>Heaviest Part:</b>	Spring Assembly - 20kg Approx.
<b>Total Weight:</b>	50kg Approx.
<b>FFH (Free Fall Height):</b>	382mm
<b>Surfacing:</b>	1.5m from extrememes of equipment with a Critical Fall Height in excess of 600mm

IMPORTANT: you must specify the colour option you require at the time of order if it is different from the colour listed/shown above, requirements are subject to availability at the time of order