

Product Information

FSSBM05 - Spring Balance Maze

BS EN 1176 - Designed to British & European Standards

MATERIALS

Panel - Two Colour High Density Polyethylene (HDPE)

PolyDek - HDPE with a rubber button grip top surface

Spring & Brackets - Powder coated steel

Ground Anchor - Galvanised steel

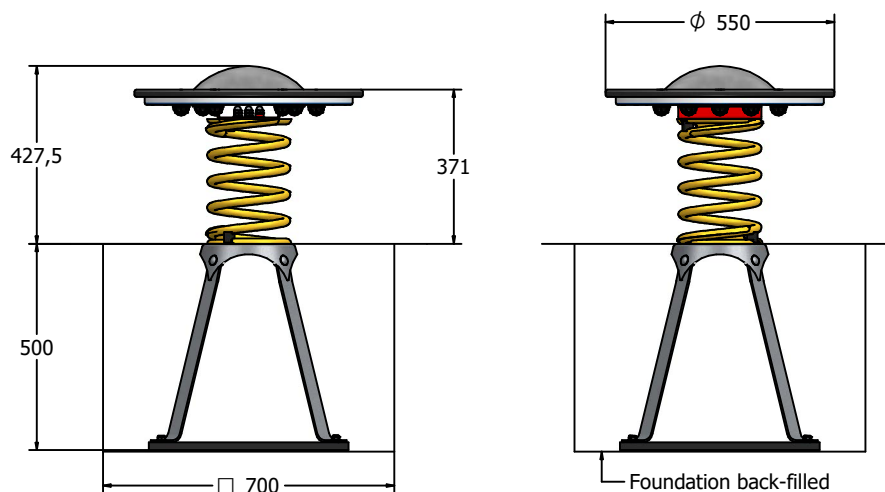
SUPPLY METHOD

300mm Spring & Balance Maze Assembly - Fully assembled

Ground Anchor - Loose components with fixings



DIMENSIONS



TECHNICAL

| | |
|--------------------------------|--|
| Age Range: | 2+ Years |
| Largest Part: | Maze Dome & Spring Assembly - 515 x ϕ 550mm |
| Heaviest Part: | Maze Dome & Spring Assembly - 20kg Approx. |
| Total Weight: | 30kg Approx. |
| FFH (Free Fall Height): | 427.5mm |
| Surfacing: | 1.5m from extrememes of equipment with a Critical Fall Height in excess of 600mm |

IMPORTANT: you must specify the colour option you require at the time of order if it is different from the colour listed/shown above, requirements are subject to availability at the time of order