

Product Information

FS1002 - Sit-On Dragon Spring Rocker

BS EN 1176 - Designed to British & European Standards

MATERIALS

Panel - High Density Polyethylene (HDPE)

PolyDek - HDPE with a smooth rubber top surface

Spring & Brackets - Powder coated steel

Ground Anchor - Galvanised steel

SUPPLY METHOD

Dragon & Seat Assembly - Assembled with fixing pack

400mm Spring Assembly - Fully assembled

Ground Anchor - Loose component with fixings



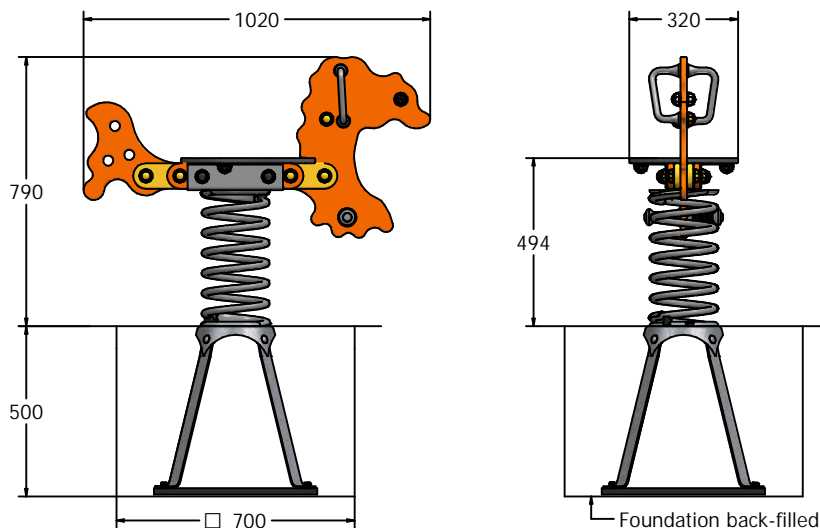
FEATURES



SPRING - Dragon spring rocker



DIMENSIONS



TECHNICAL

Age Range:	2+ Years
Largest Part:	Dragon Assembly - 1020 x 530 x 320mm
Heaviest Part:	Spring Assembly - 20kg Approx.
Total Weight:	30kg Approx.
FFH (Free Fall Height):	494mm
Surfacing:	1m from extrememes of equipment with a Critical Fall Height in excess of 494mm

IMPORTANT: you must specify the colour option you require at the time of order if it is different from the colour listed/shown above, requirements are subject to availability at the time of order