

Product Information

FITUMBLECIRIN - Tumble Ball Cog Insert

BS EN 1176 - Designed to British & European Standards

MATERIALS

Panel - Two Colour  High Density Polyethylene (HDPE)


SUPPLY METHOD

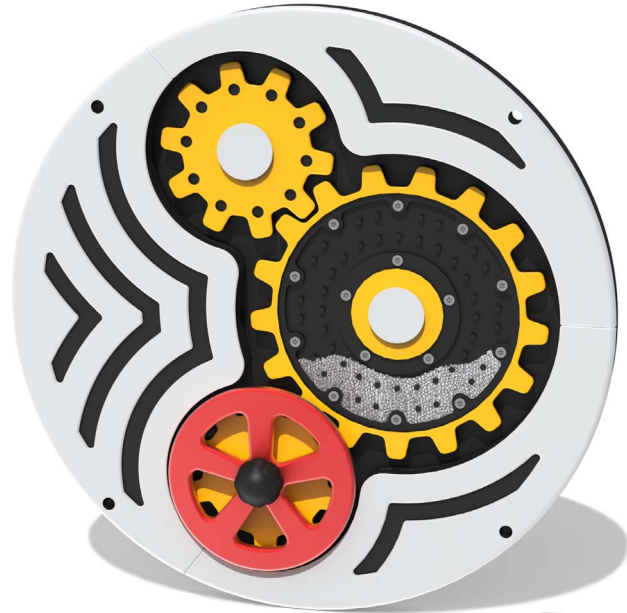
Insert - Fully assembled

FEATURES

 **ROTATE** - Three 360° rotating cogs

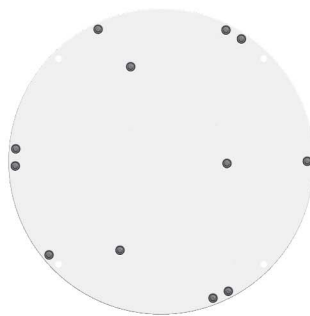
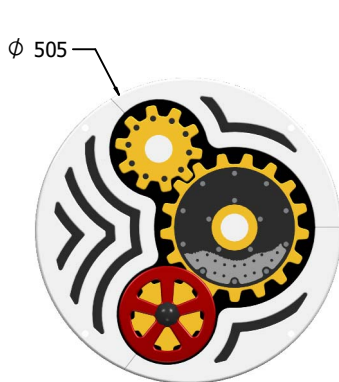
 **VISUAL** - Falling metal balls

 **SOUND** - Jangling sound from tumbling balls

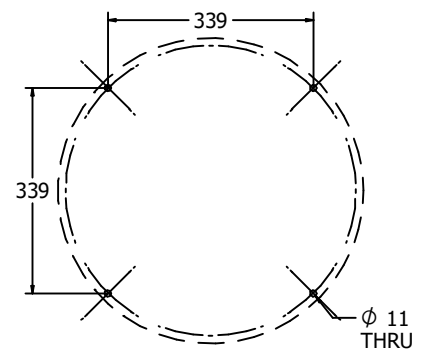


Insert can easily attach to your own panel

DIMENSIONS



Host Panel Fixing Detail



TECHNICAL

Age Range: 2+ Years
 Largest Part: $\phi 505 \times 66\text{mm}$
 Total Weight: 5kg Approx.
 Surfacing: N/A

IMPORTANT: you must specify the colour option you require at the time of order if it is different from the colour listed/shown above, requirements are subject to availability at the time of order