

# Product Information

## Rock Face Split-Traversal Wall

BS EN 1176 - Designed to British & European Standards

### MATERIALS

Panels - Two Colour  High Density Polyethylene (HDPE)

### SUPPLY METHOD

Traversal Wall - Single panels (x4)

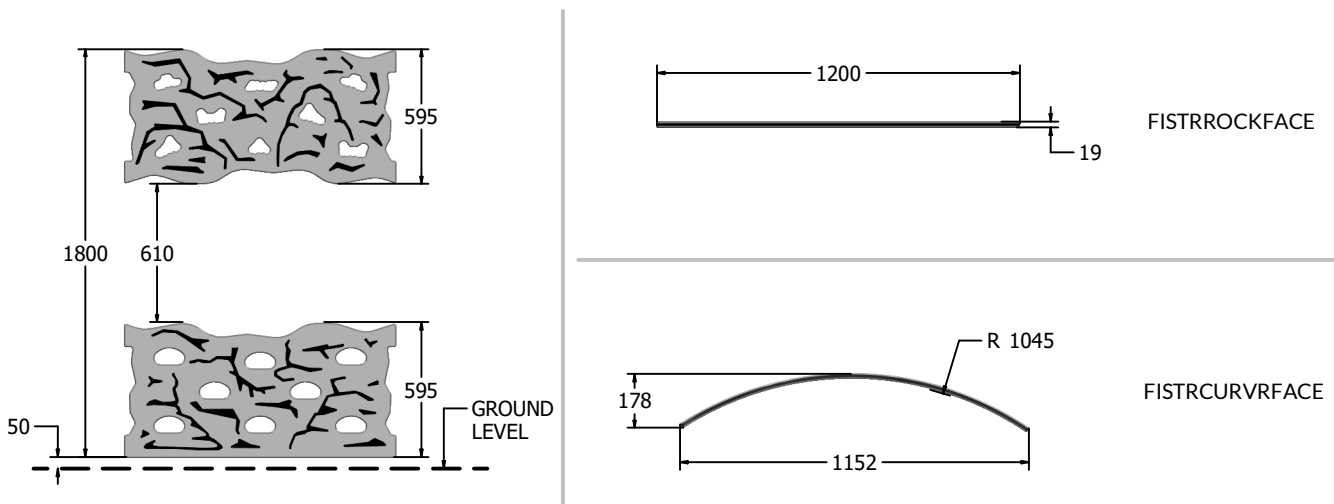
### FEATURES:



**ACTIVE** - Traverse along the panels



### DIMENSIONS



### TECHNICAL

**Age Range:** 5+ Years  
**Largest Part:** (FISTRROCKFACE) Panel - 1200 x 595 x 19mm  
**Heaviest Part:** (FISTRROCKFACE) Panel - 7.5kg Approx.  
**Total Weight:** 30kg Approx.

**Age Range:** 5+ Years  
**Largest Part:** (FISTRCURVFACE) Panel - 1150 x 595 x 192mm  
**Heaviest Part:** (FISTRCURVFACE) Panel - 7.5kg Approx.  
**Total Weight:** 30kg Approx.

**Surfacing:** 1.5m from the extents of the equipment with a free height of fall of 645mm

IMPORTANT: you must specify the colour option you require at the time of order if it is different from the colour listed/shown above, requirements are subject to availability at the time of order