

Product Information

FISRFLOW - Surf Rider - Flower Spring Plank

BS EN 1176 - Designed to British & European Standards

MATERIALS

Panel - Two Colour High Density Polyethylene (HDPE)

Spring & Brackets - Powder coated steel

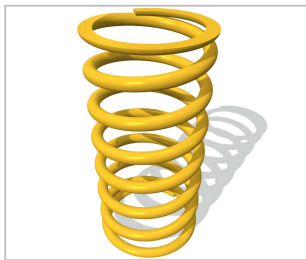
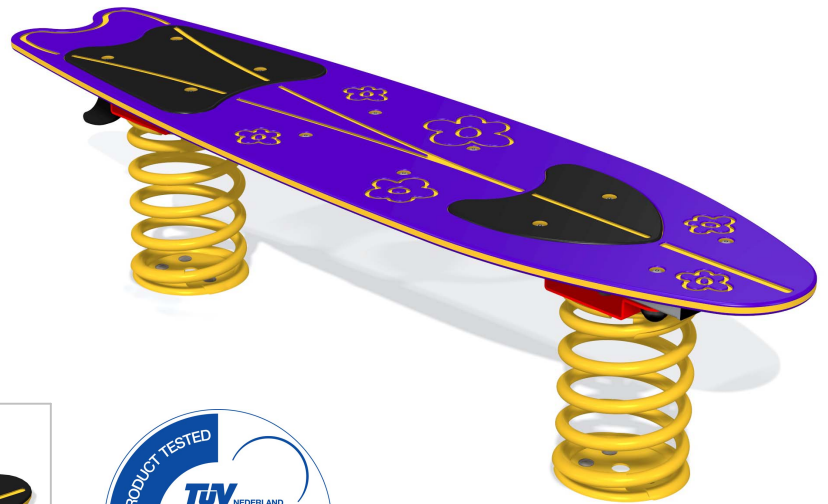
Ground Anchor - Galvanised steel

SUPPLY METHOD

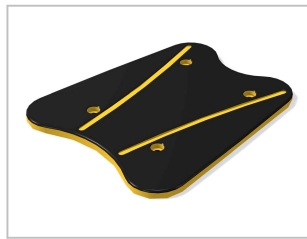
Plank - Assembled with fixing pack

Spring - Fully assembled

Ground Anchor - Loose components with fixing packs (x2)



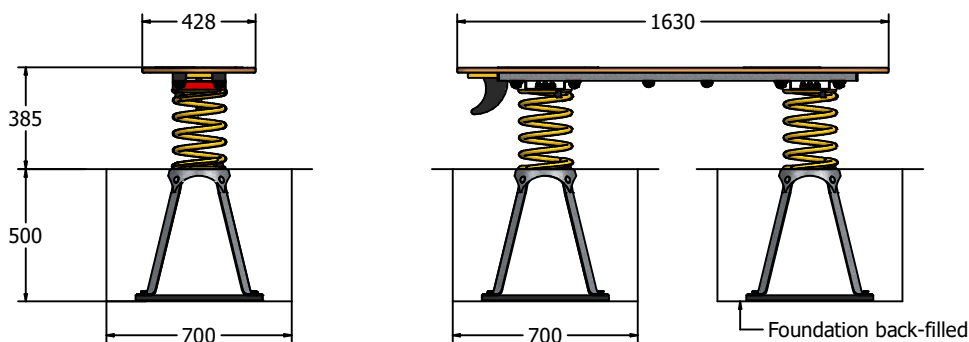
High Quality Steel Spring



Densetec Grip Foot Plates



DIMENSIONS



TECHNICAL

Age Range:	2+ Years
Largest Part:	Plank Assembly - 178 x 1630 x 428mm
Heaviest Part:	Spring Assembly 20 kg Approx.
Total Weight:	58 kg Approx.
FFH (Free Fall Height):	385mm
Surfacing:	1.5m from extremes of equipment with a Critical Fall Height in excess of 600mm

IMPORTANT: you must specify the colour option you require at the time of order if it is different from the colour listed/shown above, requirements are subject to availability at the time of order