

# Product Information

## FIROWSMIN - Mini 3 In-a-Row Insert

BS EN 1176 - Designed to British & European Standards

### MATERIALS


Panel - Two Colour  High Density Polyethylene (HDPE)

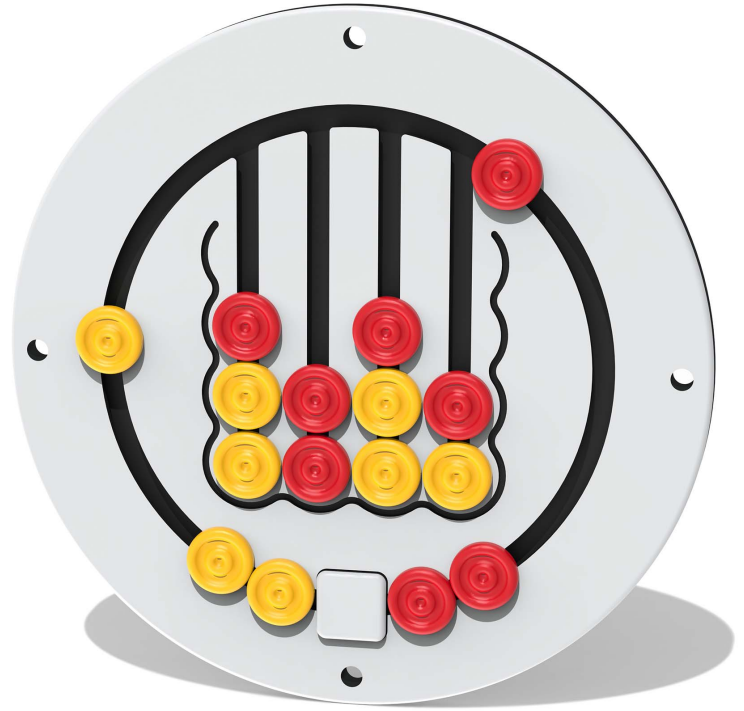
### SUPPLY METHOD

Insert - Fully assembled

### FEATURES

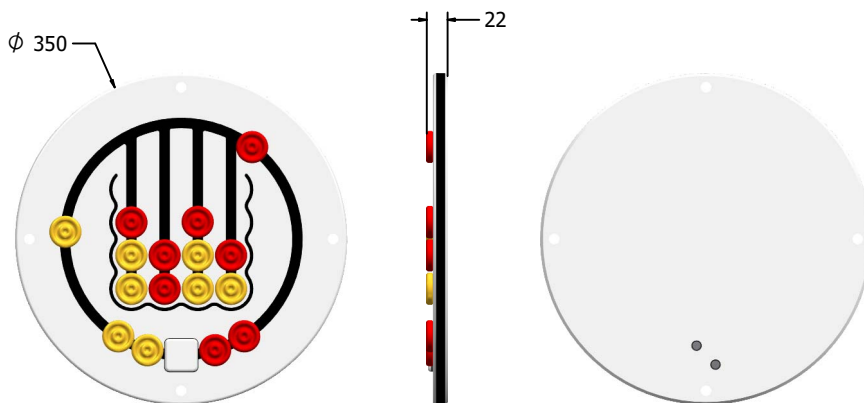
 **SLIDERS** - Sliding counters

 **SOCIAL** - Competitive game/activity

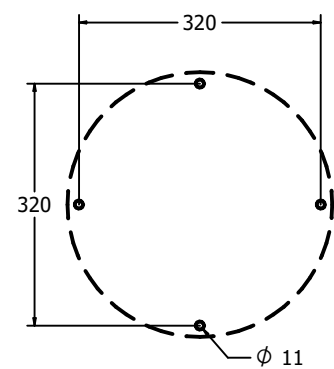


Insert can be easily attached to your own panel

### DIMENSIONS



### Host Panel Fixing Detail



CAD Template Available

### TECHNICAL

Age Range: 2+ Years  
 Largest Part: FIROWSMIN -  $\phi 350 \times 22$ mm  
 Total Weight: FIROWSMIN - 1.3kg Approx.  
 Surfacing: N/A

IMPORTANT: you must specify the colour option you require at the time of order if it is different from the colour listed/shown above, requirements are subject to availability at the time of order