


Product Information

FIRFLAIN-15 - Multi-Play Plain Roof

BS EN 1176 - Designed to British & European Standards

MATERIALS

Panel - Two Colour  High Density Polyethylene (HDPE)

Brackets - Stainless steel

SUPPLY METHOD

Roof End Panels - Assembled with brackets

Roof Panels - Supplied with fixings to attach all sides together

(Fixings to attach to posts **not included**.)

FEATURES



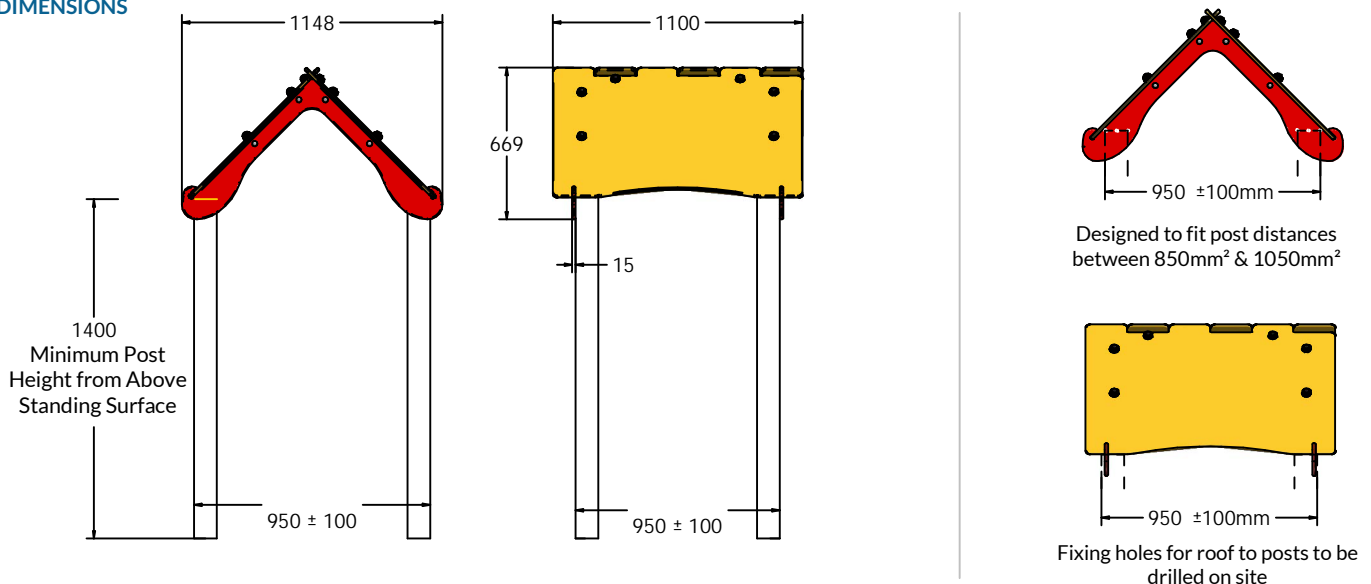
SOCIAL - Space to meet



SHELTER - Protection from the elements



DIMENSIONS



TECHNICAL

Age Range: Up to 11 years at minimum post height. Increase height for older children.
Largest Part: Plain Roof Panel - 1100 x 669 x 15mm
Heaviest Part: Plain Roof Panel - 10kg Approx.
Total Weight: 27kg Approx.
Surfacing: N/A - Unless located low enough to be easily accessible - see BS EN 1176 for guidance

IMPORTANT: you must specify the colour option you require at the time of order if it is different from the colour listed/shown above, requirements are subject to availability at the time of order