

# Product Information

## FIPTREACTINRG - RotoGen Reactions Insert

BS EN 1176 - Designed to British & European Standards

### MATERIALS

Panel - Two Colour High Density Polyethylene (HDPE)

### SUPPLY METHOD

Insert - Fully assembled

### FEATURES



**ROTOGEN** - Human powered energy for electronics



**REACTIONS** - Speed based reaction game mode



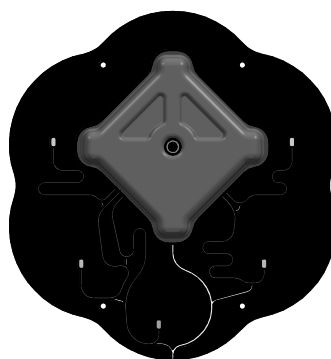
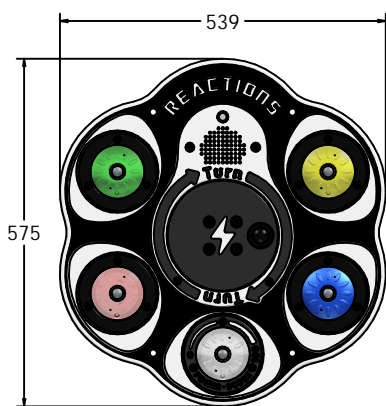
Insert can be easily attached to your own panel



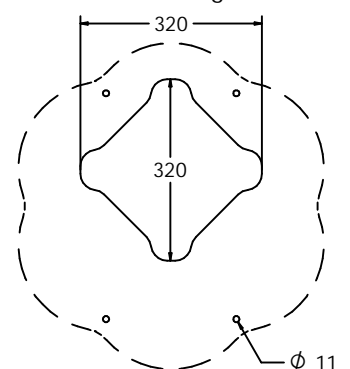
**RotoGen** turn, power, play

ELECTRONICS

### DIMENSIONS



### Host Panel Fixing Detail



CAD Template Available

### TECHNICAL

Age Range: 2+ Years  
 Largest Part: 539 x 575 x 146mm  
 Total Weight: 10kg  
 Surfacing: N/A

IMPORTANT: you must specify the colour option you require at the time of order if it is different from the colour listed/shown above, requirements are subject to availability at the time of order