

# Product Information

## FIPTFARMIN - PlayTronic Sunnyside Farm Insert

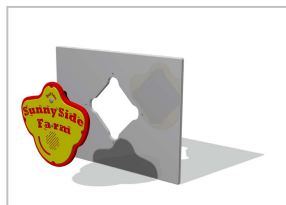
BS EN 1176 - Designed to British & European Standards

### MATERIALS

Panel - Two Colour High Density Polyethylene (HDPE)

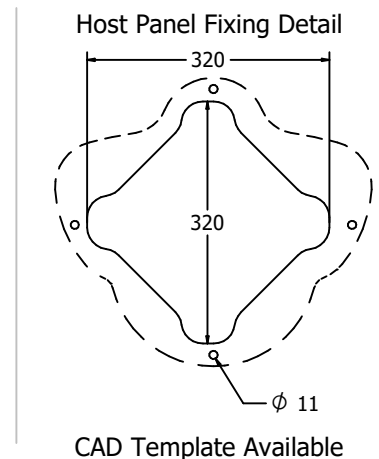
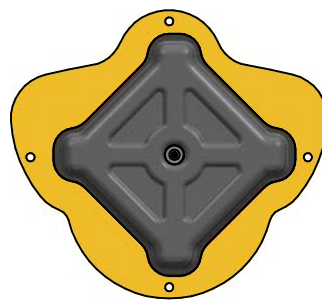
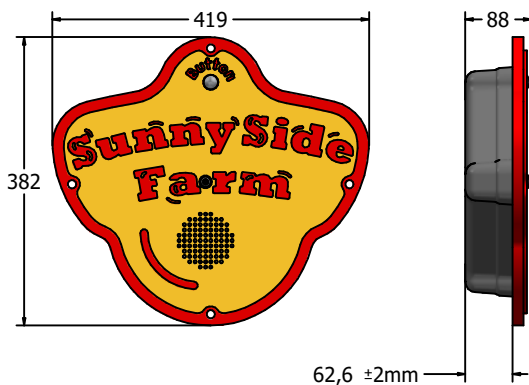
### SUPPLY METHOD

Insert - Fully assembled



Insert can be easily attached to your own panel

### DIMENSIONS



### TECHNICAL

Age Range: 2+ Years  
 Largest Part: FIPTFARMIN - 419 x 382 x 88mm  
 Total Weight: FIPTFARMIN - 5kg  
 Surfacing: N/A

IMPORTANT: you must specify the colour option you require at the time of order if it is different from the colour listed/shown above, requirements are subject to availability at the time of order