


# Product Information

## FIMPMBB-15 - Multi-Play Monkey Bars Bridge

BS EN 1176 - Designed to British & European Standards

### MATERIALS

Panel - Two Colour  High Density Polyethylene (HDPE)

Bars - Silver Anodised Aluminium

### SUPPLY METHOD

Entry Panel & Monkey Bars - Supplied separately with the fixings needed to attach to platforms and each other  
(Fixings to attach to posts **not included**.)

### FEATURES

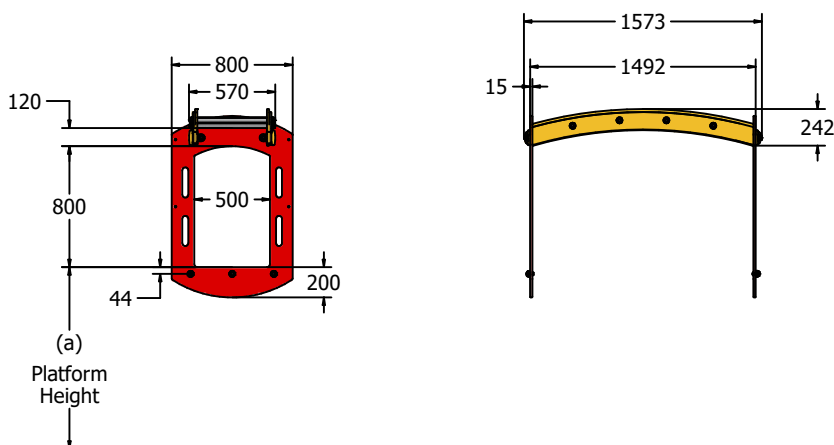
 ACTIVE - Monkey Bars



Slip Resistant Ladder Rung



### DIMENSIONS



Platform Height (a)	Critical Fall Height	Extends from Equipment
900mm	1820mm	1714mm
1200mm	2120mm	1914mm
1500mm	2420mm	2114mm

### TECHNICAL

Age Range: 4+ Years  
 Largest Part: Ladder Assembly 242 x 570 x 1573mm  
 Heaviest Part: Ladder Assembly Approx. 14.5kg  
 Total Weight: Approx. 29kg  
 Surfacing: See table. If installing onto Platform Heights different to those stated consult BS EN 1176 for further guidance

IMPORTANT: you must specify the colour option you require at the time of order if it is different from the colour listed/shown above, requirements are subject to availability at the time of order