

Product Information

FIHOTSHOT - Hot Shot Ball Game

BS EN 1176 - Designed to British & European Standards

MATERIALS

Rotomould - Polyethylene with smooth finish

Post - Galvanised Mild Steel

SUPPLY METHOD

Ball Chute - Supplied Separately

Post - Supplied in x2 parts with fixings



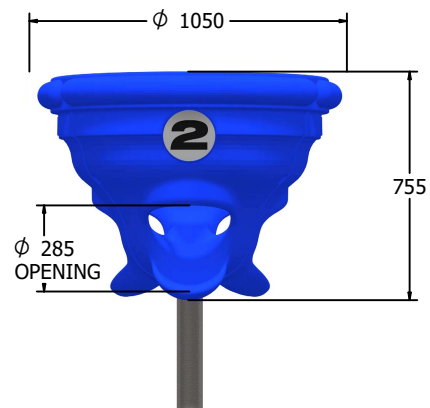
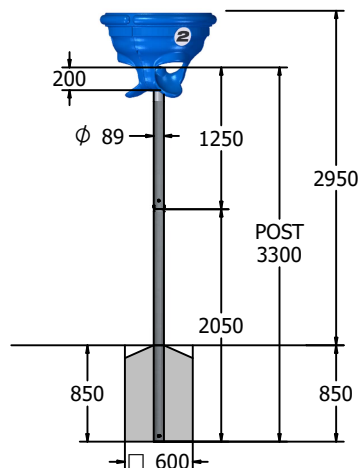
Numbered Exits - 1, 2 & 3



Durable Rotomoulded Chute with Galvanized Steel Post



DIMENSIONS



Top chute available individually to mount on your own post - **FIHOTSHOTOP** (excludes fixings)

TECHNICAL

Age Range:	4+ Years
Largest Part:	Bottom Post Part - $\phi 89 \times 2150\text{mm}$
Heaviest Part:	Chute - 18.5kg / Bottom Post Part - 13.5kg / Upper Post Part - 8kg
Total Weight:	40.5kg Approx.
Surfacing:	N/A

IMPORTANT: you must specify the colour option you require at the time of order if it is different from the colour listed/shown above, requirements are subject to availability at the time of order