

# Product Information

## FIFTSTEPST - Stepping Stones

BS EN 1176 - Designed to British & European Standards

### MATERIALS

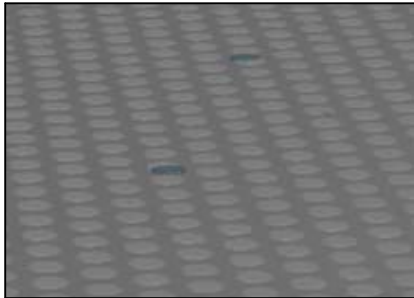
**Panel** - Single Colour High Density Polyethylene (HDPE)

**Polydek** - HDPE with a rubber button grip top surface

**Recycled Posts** - Recycled plastic with a texture finish

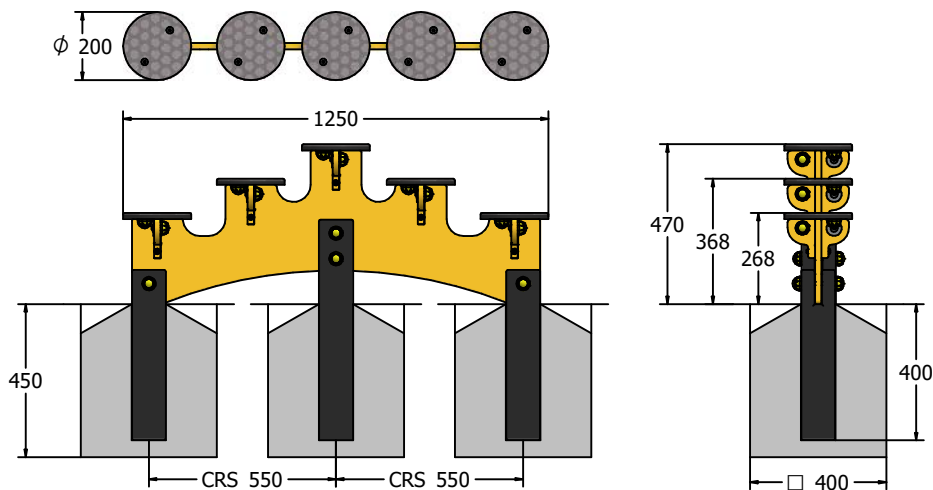
### SUPPLY METHOD

**Stepping Flower** - Pre-assembled for easy installation



Anti-Slip Polydek Tread

### DIMENSIONS



### TECHNICAL

**Age Range:** 2+ Years  
**Largest Part:** FIFTSTEPST - 548 x  $\phi$ 236mm  
**Total Weight:** FIFTSTEPST - 30kg Approx.  
**Surfacing:** N/A

IMPORTANT: you must specify the colour option you require at the time of order if it is different from the colour listed/shown above, requirements are subject to availability at the time of order